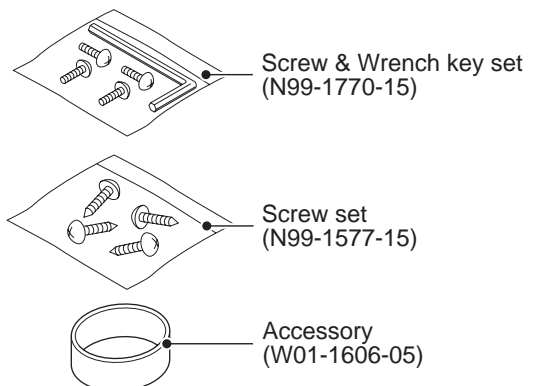
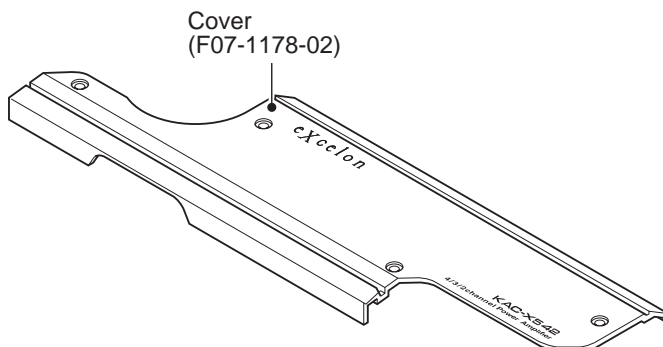
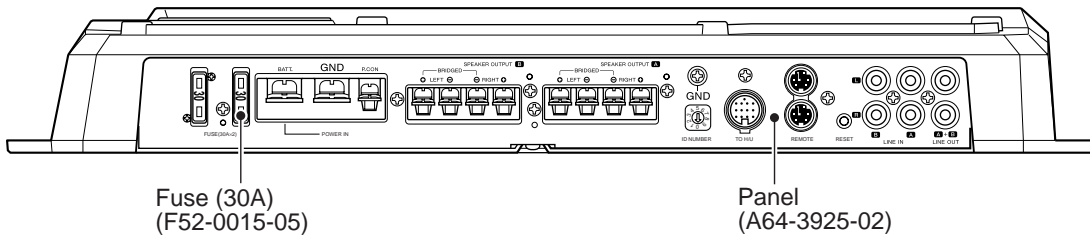
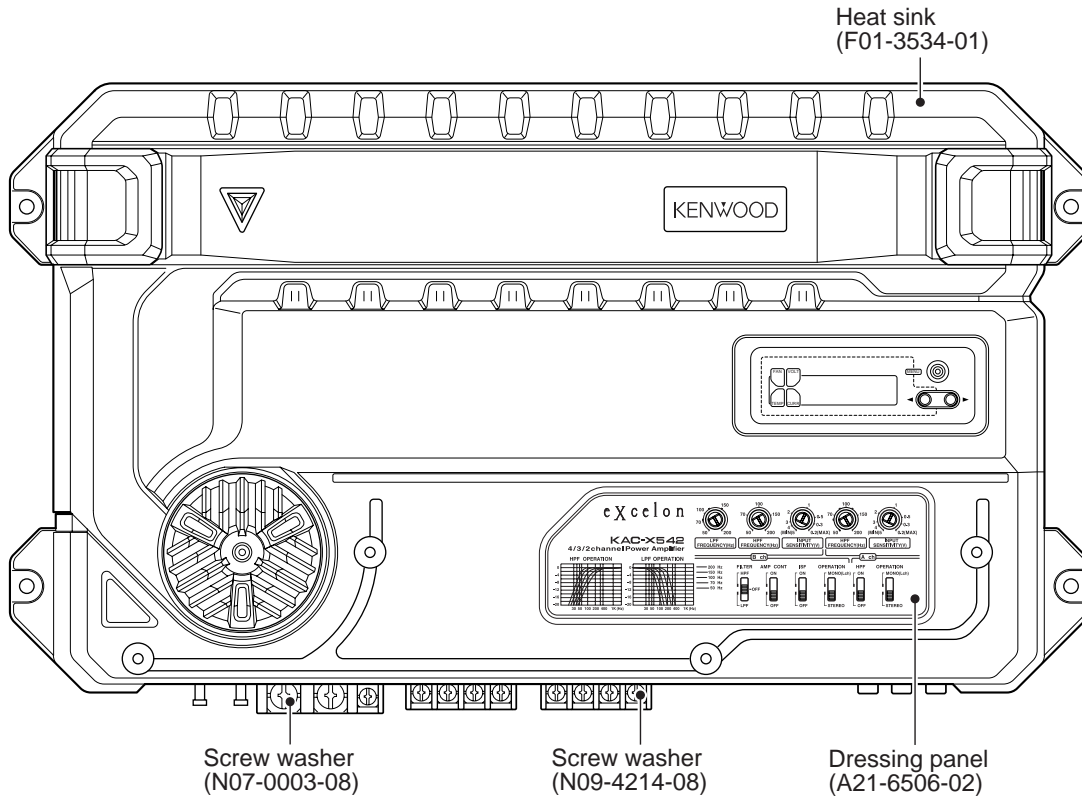
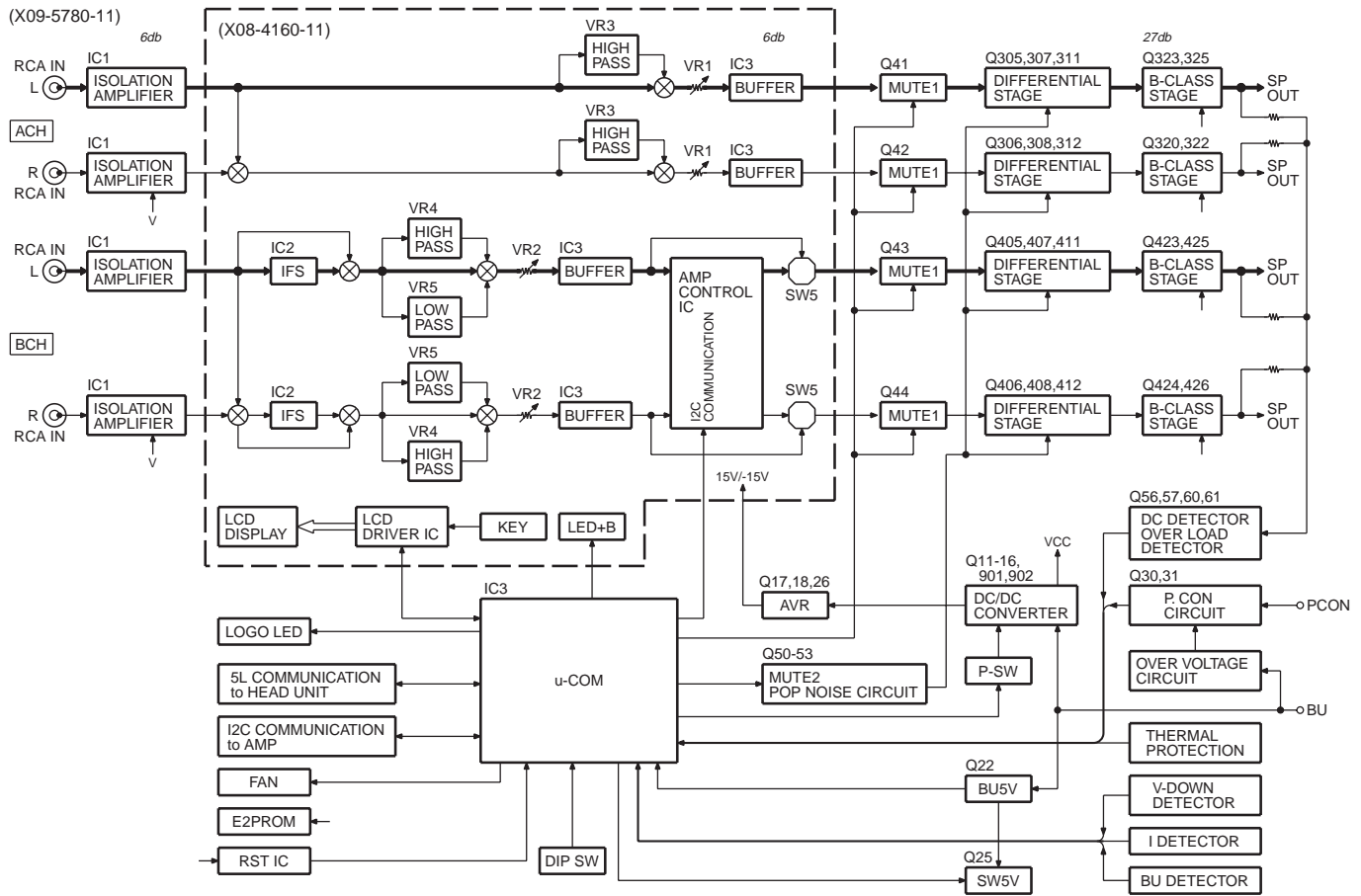


KAC-X542

SERVICE MANUAL



BLOCK DIAGRAM



COMPONENTS DESCRIPTION

● PREAMPLIFIER UNIT (X08-4160-11)

Ref. No	Application / Function	Operation / Condition / Compatibility
IC1	(1/4, 2/4) : Ach HPF, (2/4) : A-Lch buffer, (3/4) : B-Rch invert buffer	
IC2	Bch infrasonic filter	
IC4	(1/4, 2/4) : Bch HPF, (3/4, 4/4) : Bch LPF	
IC5	Bch buffer	
IC6	(1/2) : B-Lch buffer, (2/2) : B-Rch invert buffer	
IC7	LCD driver, key scan	
IC8	Bch E-VOL IC	When AMP-CON SW ON, from H/U (via Lx-Bus) change sound by AMP-CONTROL

COMPONENTS DESCRIPTION

● AUDIO UNIT (X09-5780-11)

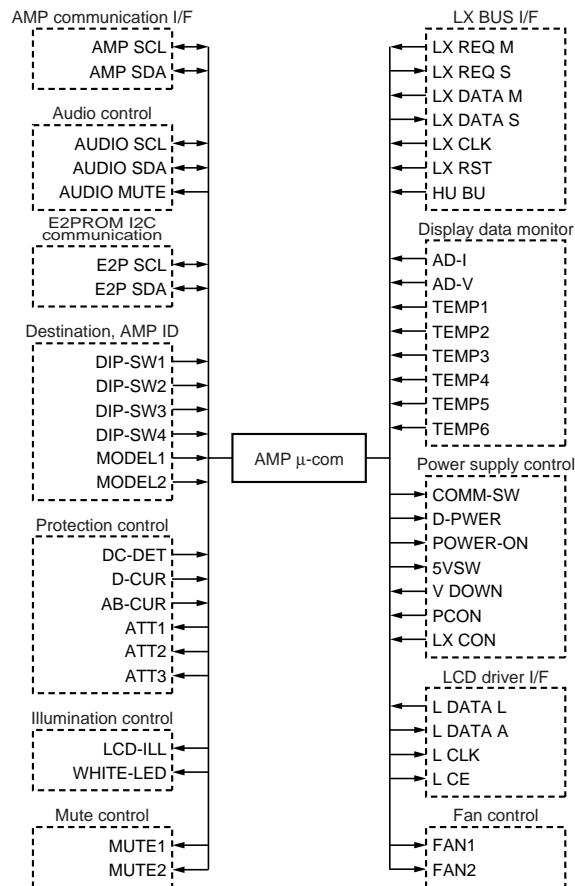
Ref. No	Application / Function	Operation / Condition / Compatibility
IC1,2	Input isolation amplifier	
IC3	Microprocessor	
IC4	Microprocessor reset IC	
IC6	Current detection circuit voltage amplification	
IC8	LX communication LX-CLK, LX-DATA-M comparator	
IC9	AMP I2C communication signal level converter	
IC10	Switching regulator	
Q1	14V power supply for LX communication circuit and AMP communication IC	
Q2	VDD 5V AVR	
Q7~10	FET drive	
Q11~16	DC/DC converter	
Q17,26	+15.6V AVR	
Q18,27	-15.6V AVR	
Q20,21	Switching regulator power switch	
Q22,24	VDD 5V AVR	
Q25	SW5V	
Q30,31	Standby, P-CON	
Q41~44	Mute driver	
Q50~53	Shock noise prevention	
Q54	Mute	
Q56,57	Output DC abnormal voltage detection	
Q58	Logo LED power supply	
Q59	LCD illumination power supply	
Q61	Over current detection and protection	
Q62~67	Fan operation circuit	
Q73,77	BU over voltage detection	
Q74,75	FET drive low start switch	
Q80~83	LX communication input signal level converter	
Q84	LX communication circuit power supply and AMP communication IC1 power switch	
Q85,86,90,92~96,98	LX communication output signal level converter	
Q91	14V power supply for LX communication circuit and AMP communication IC	
Q210	Ach first stage differential amplifier	
Q212,311,411,412	Temperature compensation bias	
Q301~309,312 Q314,319,321	Ach first stage differential amplifier	
Q315~318,415~418	Over current detection and protection	
Q320,322,323,325	Ach final current amplifier	
Q401~410	Bch first stage differential amplifier	
Q423-426	Bch final current amplifier	
Q901,902	DC/DC converter	
Q905,906,945,946,967	1dB attenuation circuit	

KAC-X542

MICROCOMPUTER'S TERMINAL DESCRIPTION

● MICROPROCESSOR (X09 : IC3)

◆ Block Diagram



◆ Terminal Function

Pin No.	Pin Name	I/O	Function	Processing Operation Description
1~3	TEMP4~TEMP6	I	Temperature detection 4~6	
4	AVSS	-	GND	
5	L CE	O	CE output to LCD driver	H : LCD driver CE
6	LX REQ S	O	Data transmit request to head unit	H : OFF, L : ON
7	AVREF1	-	DA reference voltage	
8	L DATA L	I	Data input from LCD driver	
9	L DATA A	O	Data output to LCD driver	
10	L CLK	O	CLK output to LCD driver	
11	LX DATA M	I	Data input from head unit	
12	LX DATA S	O	Data output to head unit	
13	LX CLK	I	CLK input from head unit	
14	LX BU	I	LX BUS communication, head unit connect detection	H : Not connect (Except master amplifier), L : Connect
15	NC	-	Not used	
16	SDA AMP	I/O	Data input/output AMP communication	
17	NC	-	Not used	

MICROCOMPUTER'S TERMINAL DESCRIPTION

Pin No.	Pin Name	I/O	Function	Processing Operation Description
18	SCL AMP	I/O	CLK input/output AMP communication	
19	AUDIO SCL	I/O	CLK input/output with audio chip	
20	AUDIO SDA	I/O	Data input/output with audio chip	
21	AUDIO MUTE	O	Mute output to audio chip	H : Mute OFF, L : Mute ON
22	E2P SCL	I/O	CLK input/output with E2PROM	
23	E2P SDA	I/O	Data input/output with E2PROM	
24	NC	-	Not used	
25~28	DIP-SW1-DIP-SW4	I	AMP address setting	
29	MODEL1	I	Model setting 1	
30	MODEL2	I	Model setting 2	
31,32	NC	-	Not used	
33	VSS1	-	GND	
34~37	NC	-	Not used	
38	LCD-ILL	O	LCD backlight switch	H : ON, L : OFF
39	WHITE-LED	O	Triangle illumination switch	H : ON, L : OFF
40	NC	-	Not used	
41~43	ATT1~ATT3	O	Output attenuate due to rise in temperature 1~3	H : Attenuate, L : Not attenuate
44,45	NC	-	Not used	
46	COMM-SW	O	Communication IC power switch	H : ON, L : OFF
47~50	NC	-	Not used	
51	D-PWER	O	D class amplifier power supply control	H : ON, L : OFF (2ch/4ch L fixed)
52	DC-DET	I	Speaker output DC voltage detection	H : Normal, L : Abnormal
53	NC	-	Not used	
54	POWER-ON	O	Amplifier power supply control	H : ON (D/AB class), L : OFF
55	5VSW	O	5VSW	H : OFF, L : ON
56	MUTE1	O	Amplifier section input stage mute control	H : OFF, L : ON
57	MUTE2	O	Driver stage pop-noise mute control	H : OFF, L : ON
58	FAN1	O	Fan rotation control	H : Operate, L : Stop
59	FAN2	O	Fan speed control	H : Low speed, L : High speed
60	RESET	-	Hard reset	H : Normal, L : Reset
61	PCON	I	Amplifier power control	H : OFF, L : ON
62	LX CON	I	LX-BUS communication control	H : OFF, L : ON
63	LX REQ M	I	Data receive request from head unit	H : ON, L : OFF
64	NC	-	Not used	
65	V DOWN	I	Momentary power down detection	H : ON (Power down detection), L : OFF (L fixed)
66	NC	-	Not used	
67	VSS0	-	GND	
68	VD1	-	VDD	
69	X2	-	Main clock input 1	
70	X1	-	Main clock input 2	

KAC-X542

MICROCOMPUTER'S TERMINAL DESCRIPTION

Pin No.	Pin Name	I/O	Function	Processing Operation Description
71	TEST	-	Flash ROM writing	
72	XT2	-	Not used	
73	XT1	-	Not used	
74	VDD0	-	VDD	
75	AVDD	-	VDD	
76	AD-I	I	First current detection (for display)	
77	AD-V	I	BU voltage detection (for display)	
78~80	TEMP1~TEMP3	I	Temperature detection 1~3	

◆ Logic Table

1) Destination

The destination in AMP does not mean the sales regions but specific models.

The following are the models. When reset is released, it is checked only once.

Model name	MODEL1 (pin 29)	MODEL2 (pin 30)
KAC-X812D	Low	Low
KAC-X522	Low	High
KAC-X542	High	High

2) AMP ID

AMP ID is checked only once at the time reset is released or when the microcomputer is released from the low consumption mode.

When setting AMP ID to 8 or 9, remote control is impossible.

AMP ID	DIP-SW1 (pin 25)	DIP-SW2 (pin 26)	DIP-SW3 (pin 27)	DIP-SW4 (pin 28)
0	High	High	High	High
1	Low	High	High	High
2	High	Low	High	High
3	Low	Low	High	High
4	High	High	Low	High
5	Low	High	Low	High
6	High	Low	Low	High
7	Low	Low	Low	High
8	High	High	High	Low
9	Low	High	High	Low

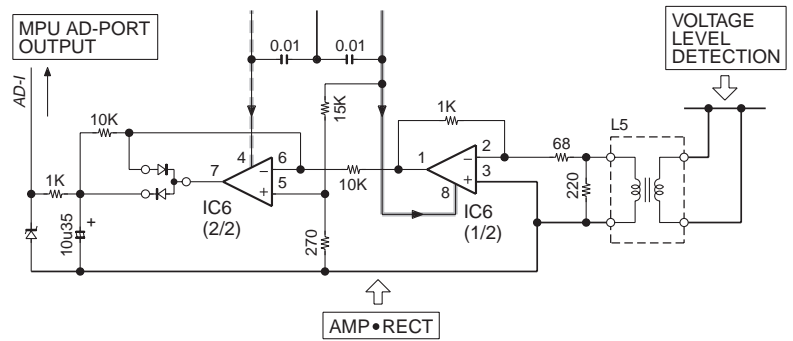
3) Fan speed

Operation	FAN1 (pin 58)	FAN2 (pin 59)
Stop	Low	High/Low
Low speed	High	High
High speed	High	Low

CIRCUIT DESCRIPTION

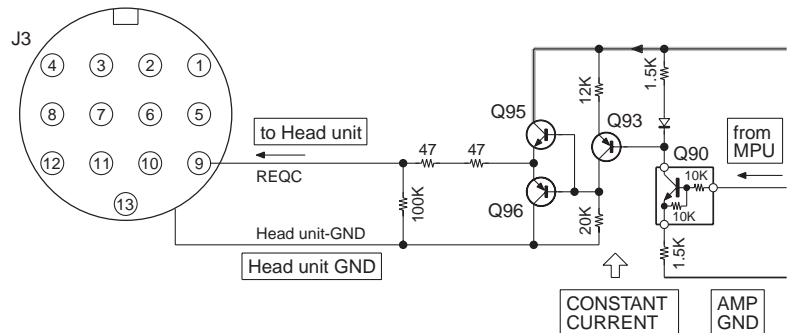
● Current detection circuit

Amplify and rectify potential differences at two points in the primary-side current circuit and send it to the AD-port of the MPU and obtain data for displaying current value.



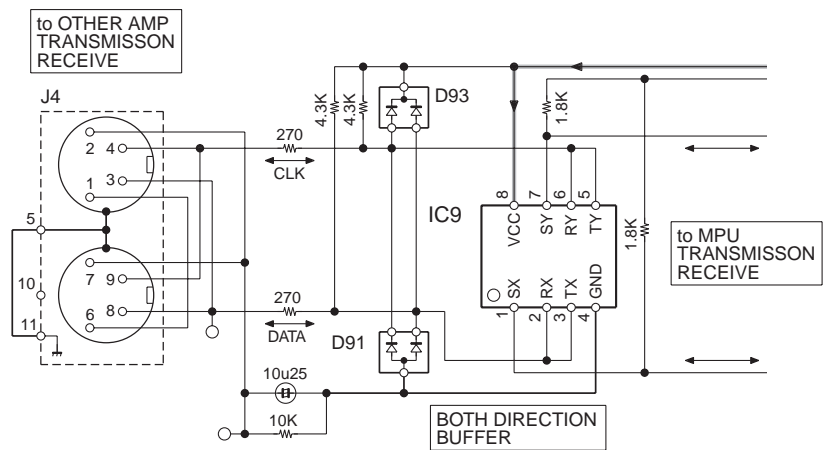
● Constant current output circuit

Remove troubles caused by the potential differences between the constant current output and the GND, so that the GND potential differences between the head unit and the AMP is not overlapped in the AMP to head unit communication.



● I2C buffer

Using an IC for I2C communication, between-AMP communication is conducted so that there will be no trouble from GND potential differences.

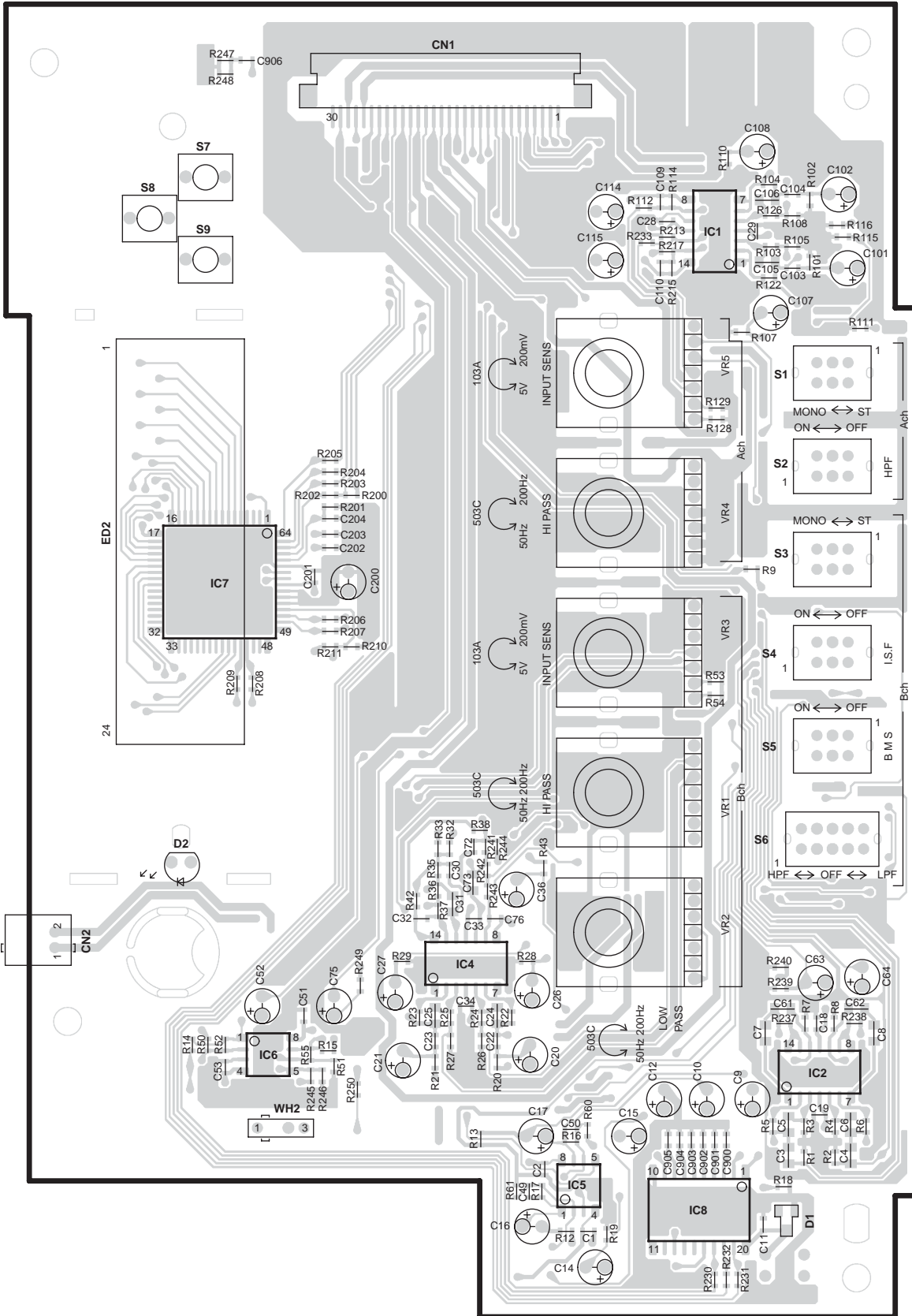


ADJUSTMENT

No.	Item	Alignment Point	Method	Align For	Note	Fig.
1	IDEL CURRENT	VR5 (A-Lch) VR6 (A-Rch) VR7 (B-Lch) VR8 (B-Rch)	Connect a DC voltmeter between the following emitter resistors. R347 (A-Lch) R348 (A-Rch) R447 (B-Lch) R446 (B-Rch)	2.5mV	Over 2 minutes aging is required.	PC BOARD on page 10 and 11.

KAC-X542 PC BOARD (COMPONENT SIDE VIEW)

PREAMPLIFIER UNIT X08-4160-11 (J76-0011-12)



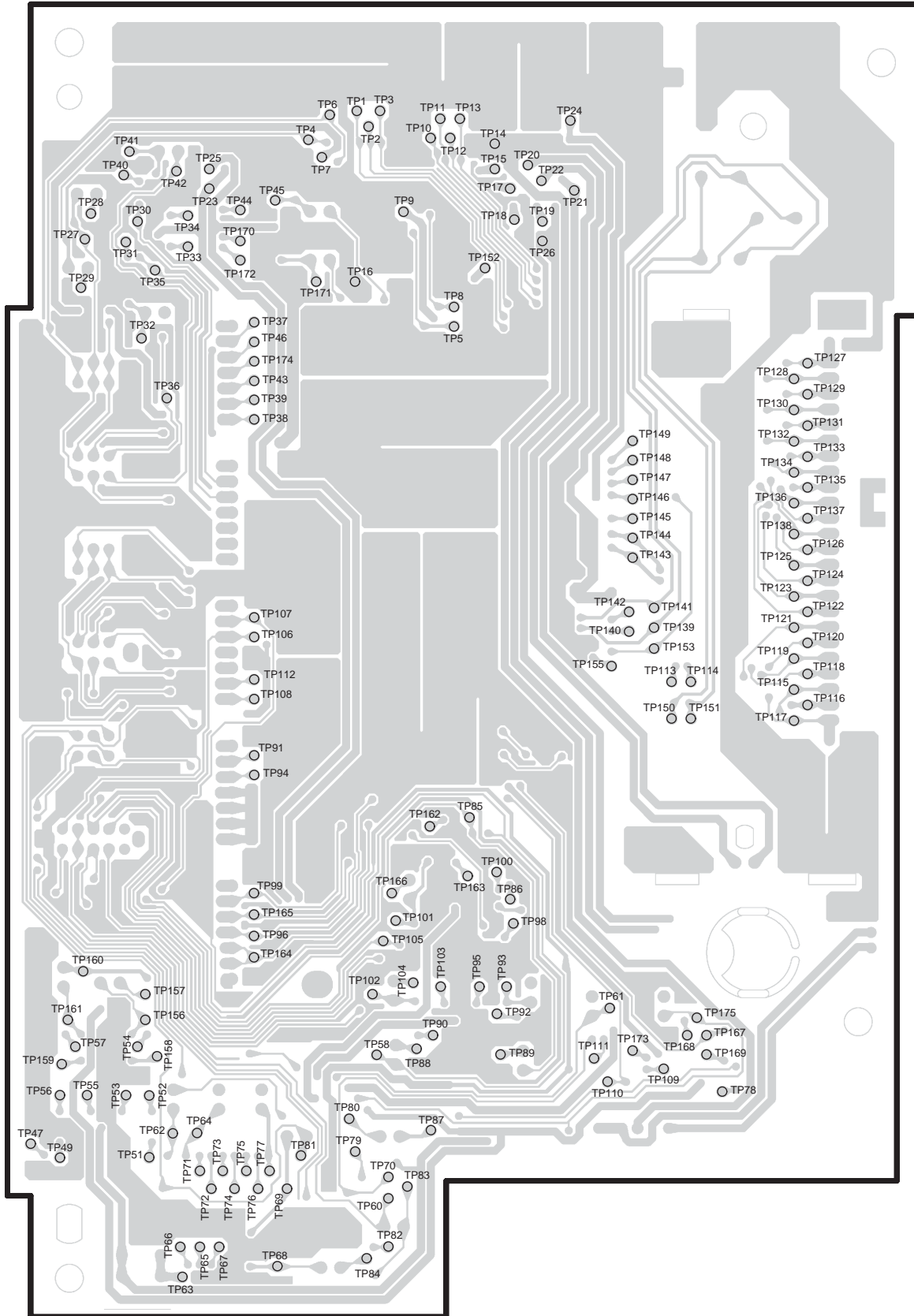
X08-4160-11

Ref. No.	Address
IC1	2D
IC2	6D
IC4	5C
IC5	6C
IC6	6B
IC7	4B
IC8	6D

Refer to the schematic diagram for the values of resistors and capacitors.

PC BOARD (FOIL SIDE VIEW)

PREAMPLIFIER UNIT X08-4160-11 (J76-0011-12)



Refer to the schematic diagram for the values of resistors and capacitors.

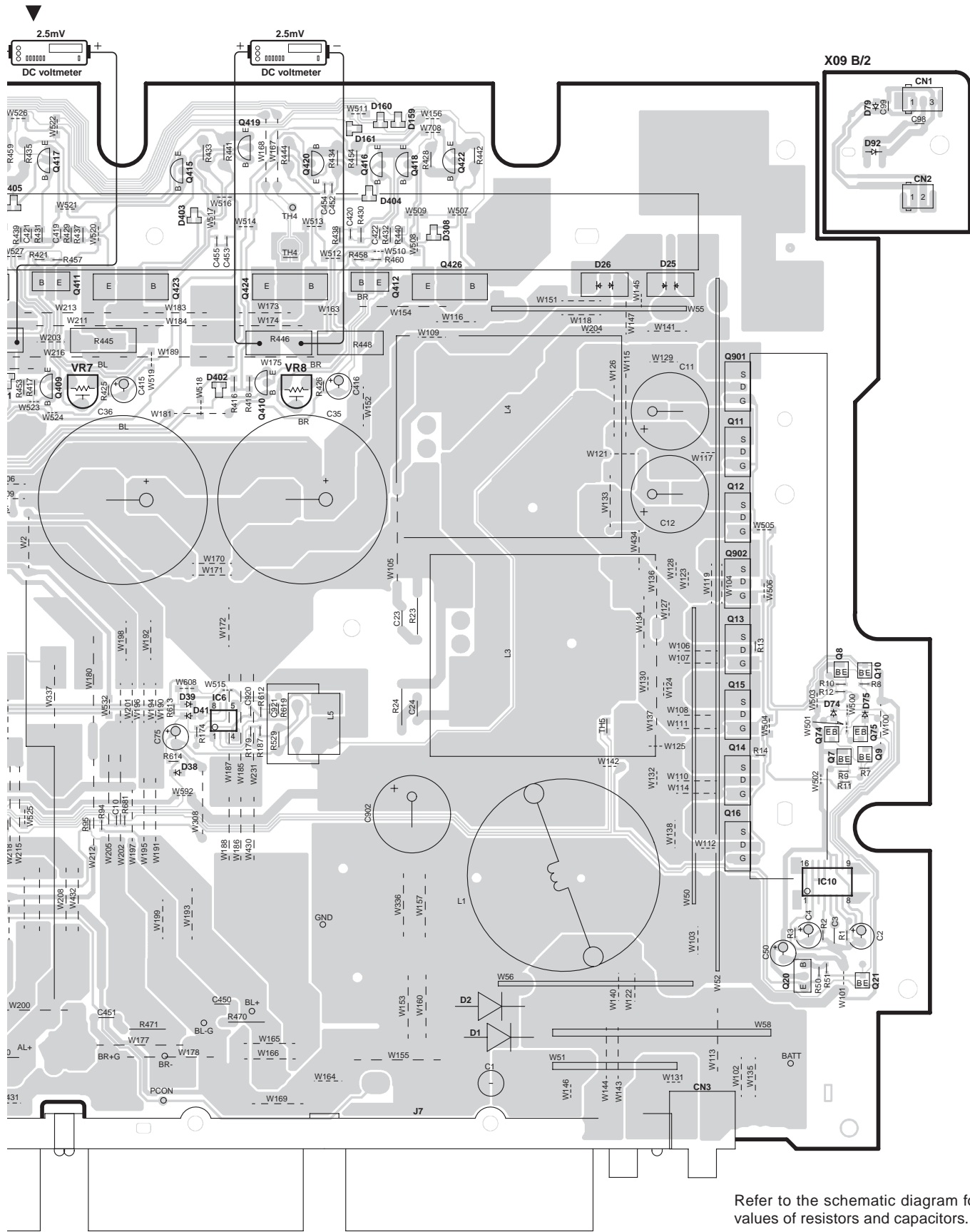
KAC-X542 PC BOARD (FOIL SIDE VIEW)



X09-5780-11

Ref. No.	Address	Ref. No.	Address	Ref. No.	Address	Ref. No.	Address	Ref. No.	Address	Ref. No.	Address	Ref. No.	Address	Ref. No.	Address	Ref. No.	Address
IC1	5K	IC6	4Q	Q7	4S	Q13	4S	Q20	5S	Q27	20	Q44	3N	Q56	50	Q62	5N
IC2	5L	IC8	6M	Q8	4S	Q14	4S	Q21	5T	Q30	50	Q50	2M	Q57	50	Q63	4N
IC3	5M	IC9	6M	Q9	4T	Q15	4S	Q22	50	Q31	50	Q51	1M	Q58	40	Q64	4N
IC4	4M	IC10	5S	Q10	4T	Q16	5S	Q24	5N	Q41	4L	Q52	2M	Q59	40	Q65	4N
		Q1	5N	Q11	3S	Q17	2N	Q25	5N	Q42	3L	Q53	1M	Q60	40	Q66	5N
		Q2	50	Q12	3S	Q18	20	Q26	2N	Q43	3M	Q54	4N	Q61	50	Q67	5N
		Q73	50	Q82	6N	Q83	6N	Q84	60	Q85	5N	Q86	5M	Q87	5N	Q88	6N
		Q74	4S	Q83	6N	Q84	60	Q85	5N	Q86	5M	Q87	5N	Q88	6N	Q89	5M
		Q75	4T	Q84	60	Q85	5N	Q86	5M	Q87	5N	Q88	6N	Q89	5M	Q90	5M
		Q76	4N	Q85	5N	Q86	5M	Q87	5N	Q88	6N	Q89	5M	Q90	5M		
		Q77	5N	Q86	5M	Q87	5N	Q88	6N	Q89	5M	Q90	5M				
		Q78	4S	Q87	5N	Q88	6N	Q89	5M	Q90	5M						
		Q79	4T	Q88	6N	Q89	5M										
		Q80	5N	Q89	5M												
		Q81	6N														
		Q82	6N														
		Q83	6N														
		Q84	60														
		Q85	5N														
		Q86	5M														
		Q87	5N														
		Q88	6N														
		Q89	5M														
		Q90	5M														

KAC-X542

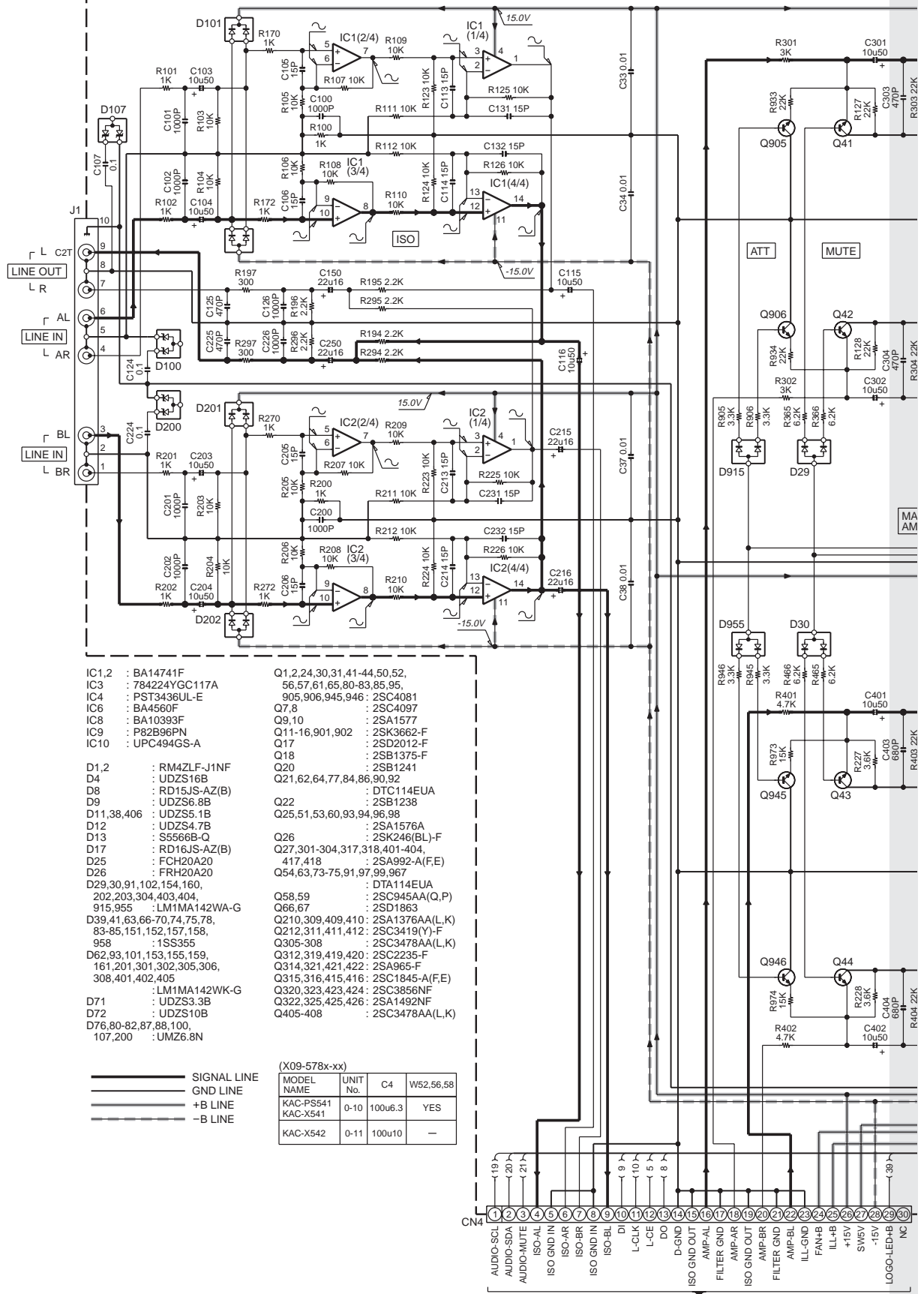


Refer to the schematic diagram for the values of resistors and capacitors.

Ref. No.	Address	Ref. No.	Address	Ref. No.	Address	Ref. No.	Address	Ref. No.	Address	Ref. No.	Address	Ref. No.	Address	Ref. No.	Address	Ref. No.	Address				
Q91	6N	Q97	6N	Q302	3M	Q308	3M	Q316	2M	Q322	2N	Q404	4N	Q410	3Q	Q418	2Q	Q424	2Q	Q906	3L
Q92	5N	Q98	5N	Q303	4L	Q309	3L	Q317	2L	Q323	2M	Q405	3N	Q411	2P	Q419	1Q	Q425	2O	Q945	3M
Q93	5M	Q99	6O	Q304	4M	Q311	2L	Q318	2N	Q325	2L	Q406	3N	Q412	2Q	Q420	2Q	Q426	2R	Q946	3N
Q94	5N	Q210	3M	Q305	3L	Q312	3M	Q319	3L	Q401	3N	Q407	3N	Q415	2P	Q421	2O	Q422	2R	Q901	3S
Q95	6M	Q212	2M	Q306	3M	Q314	3M	Q320	2M	Q402	4N	Q408	3N	Q416	2Q	Q422	2R	Q902	3S	Q967	4N
Q96	5M	Q301	4K	Q307	3L	Q315	2L	Q321	3K	Q403	3N	Q409	3P	Q417	2P	Q423	2P	Q905	3L		

KAC-X542

AUDIO UNIT (X09-578x-xx) (A/2)

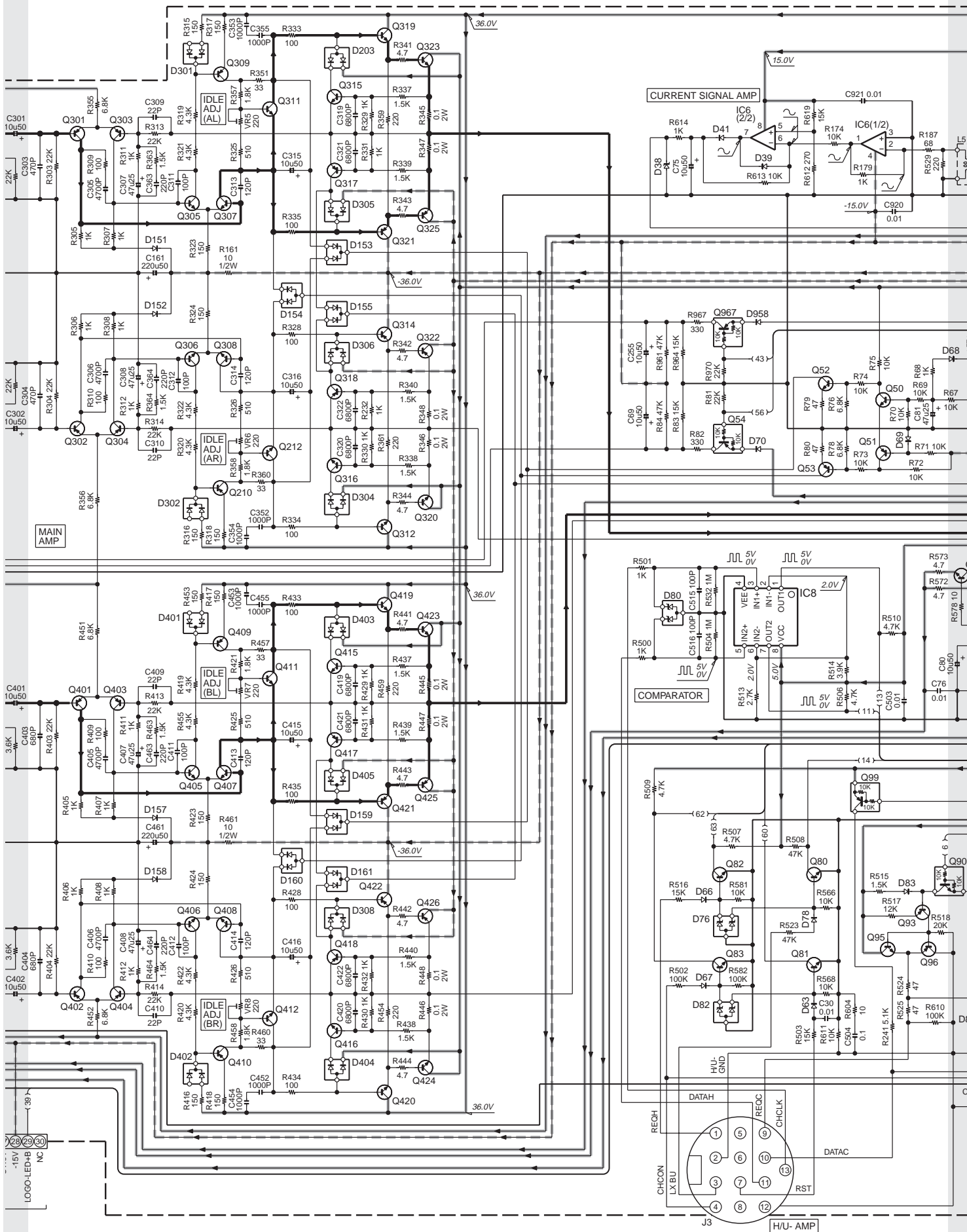


- IC1,2 : BA14741F
- IC3 : 784224YGC117A
- IC4 : PST3436UL-E
- IC6 : BA4560F
- IC8 : BA10393F
- IC9 : P82B96PN
- IC10 : UPC494GS-A
- D1,2 : RM4ZLF-J1NF
- D4 : UDZS16B
- D8 : RD15JS-AZ(B)
- D9 : UDZS6.8B
- D11,38,406 : UDZS5.1B
- D12 : UDZS4.7B
- D13 : S5566B-Q
- D17 : RD16JS-AZ(B)
- D25 : FCH20A20
- D26 : FRH20A20
- D29,30,91,102,154,160,202,203,304,403,404,915,955 : LM1MA142WA-G
- D39,41,63,66,70,74,75,78,83-85,151,152,157,158,958 : 1SS355
- D62,93,101,153,155,159,161,201,301,302,305,306,308,401,402,405 : LM1MA142WK-G
- D71 : UDZS3.3B
- D72 : UDZS10B
- D76,80-82,87,88,100,107,200 : UMZ6.8N
- Q1,2,24,30,31,41-44,50,52,56,57,61,65,80-83,85,95,905,906,945,946 : 2SC4081
- Q7,8 : 2SC4097
- Q9,10 : 2SA1577
- Q11-16,901,902 : 2SK3662-F
- Q17 : 2SD2012-F
- Q18 : 2SB1375-F
- Q20 : 2SB1241
- Q21,62,64,77,84,86,90,92 : DTC114EUA
- Q22 : 2SB1238
- Q25,51,53,60,93,94,96,98 : 2SA1576A
- Q26 : 2SK246(BL)-F
- Q27,301-304,317,318,401-404,417,418 : 2SA992-A(FE)
- Q54,63,73-75,91,97,99,967 : DTA114EUA
- Q58,59 : 2SC945AA(Q,P)
- Q66,67 : 2SD1883
- Q210,309,409,410 : 2SA1376AA(L,K)
- Q212,311,411,412 : 2SC3419(Y)-F
- Q305-308 : 2SC3478AA(L,K)
- Q312,319,419,420 : 2SC2235-F
- Q314,321,421,422 : 2SA965-F
- Q315,316,415,416 : 2SC1845-A(FE)
- Q320,323,423,424 : 2SC3856NF
- Q322,325,425,426 : 2SA1492NF
- Q405-408 : 2SC3478AA(L,K)

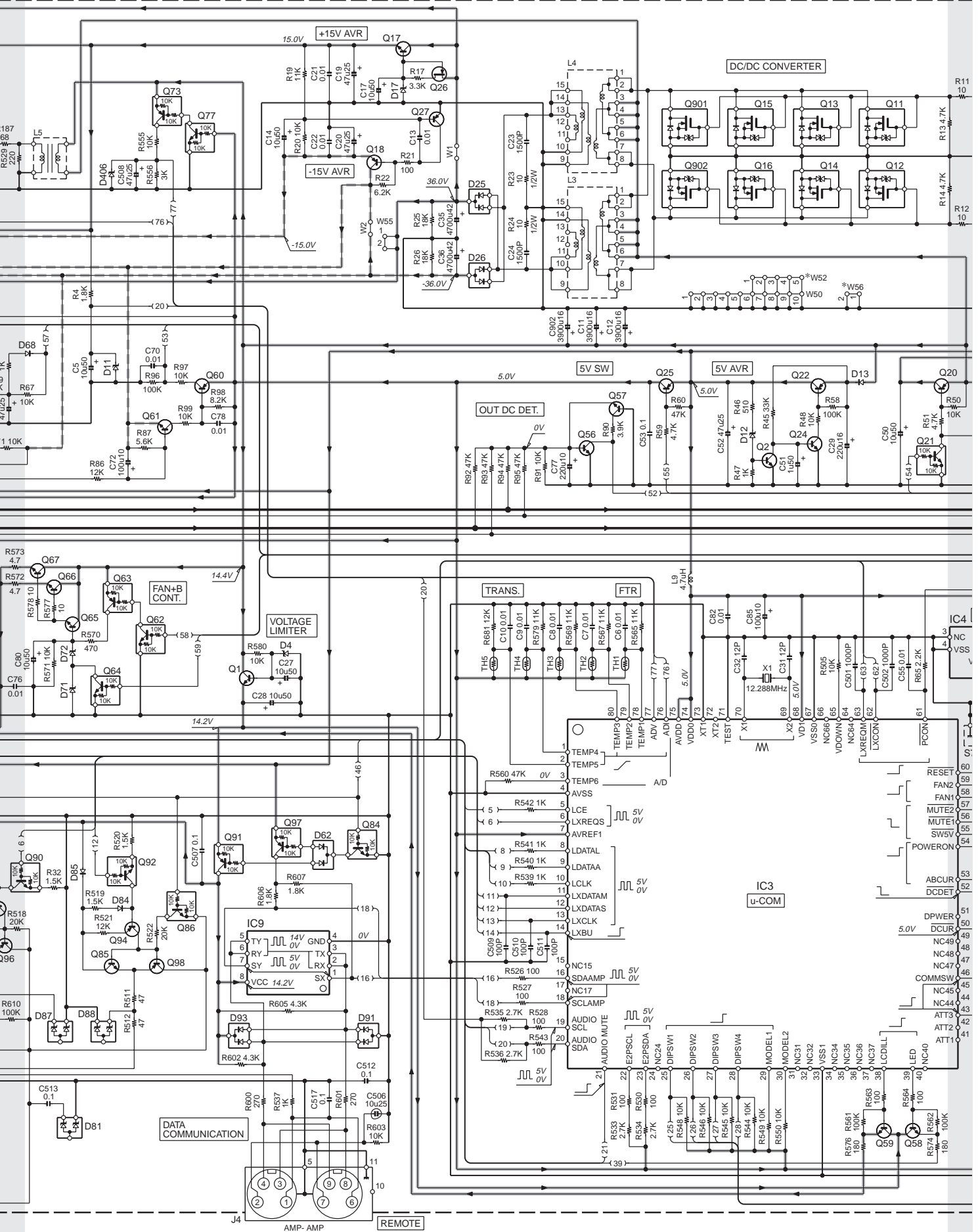
(X09-578x-xx)				
MODEL NAME	UNIT No.	C4	W52,56,58	
KAC-PS541	0-10	100u6.3	YES	
KAC-X541				
KAC-X542	0-11	100u10	-	

— SIGNAL LINE
 — GND LINE
 — +B LINE
 — -B LINE

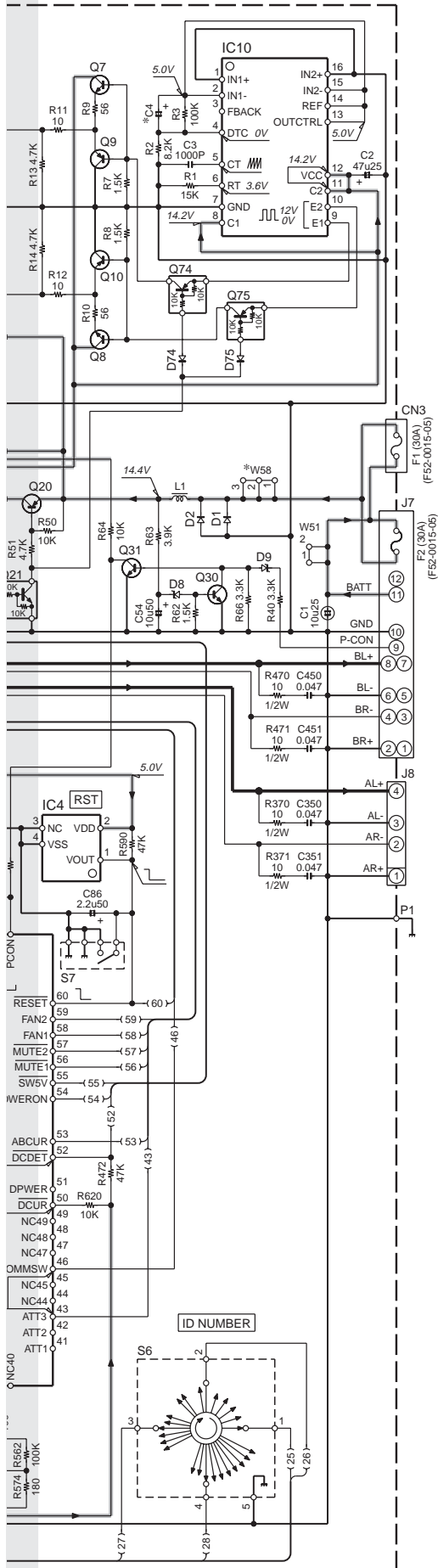
KAC-X542



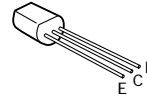
KAC-X542



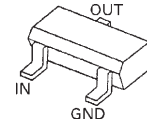
KAC-X542



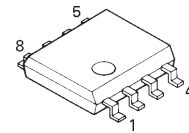
2SA965-F
 2SA992-A
 2SC1845-A
 2SC2235-F



DTA114EUA
 DTC114EUA



NJM4565MD-ZB



2SA1576A



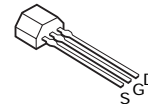
02CZ8.2-F



2SC3419



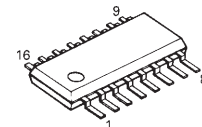
2SK246



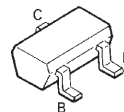
2SB1375-F
 2SD2012-F



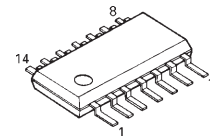
UPC494GS-A



2SC4081



NJM2058M-ZB



CAUTION : For continued safety, replace safety critical components only with manufacturer's recommended parts (refer to parts list).

⚠ Indicates safety critical components. To reduce the risk of electric shock, leakage-current or resistance measurements shall be carried out (exposed parts are acceptably insulated from the supply circuit) before the appliance is returned to the customer.

- DC voltages are as measured with a high impedance voltmeter. Values may vary slightly due to variations between individual instruments or/and units.

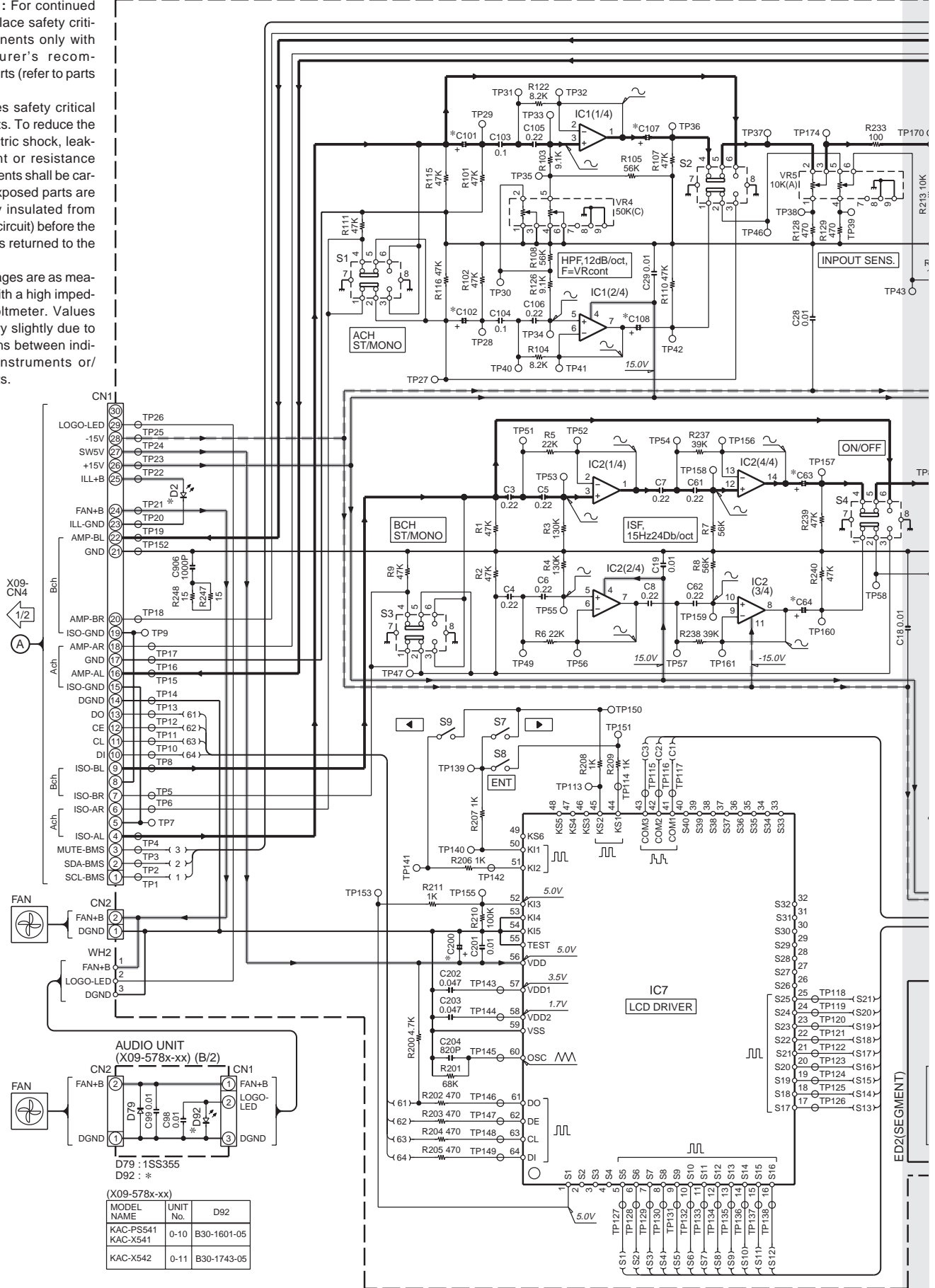
KAC-X542

CAUTION : For continued safety, replace safety critical components only with manufacturer's recommended parts (refer to parts list).

⚠ Indicates safety critical components. To reduce the risk of electric shock, leakage-current or resistance measurements shall be carried out (exposed parts are acceptably insulated from the supply circuit) before the appliance is returned to the customer.

- DC voltages are as measured with a high impedance voltmeter. Values may vary slightly due to variations between individual instruments or/and units.

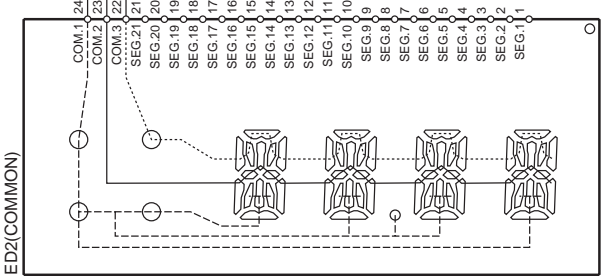
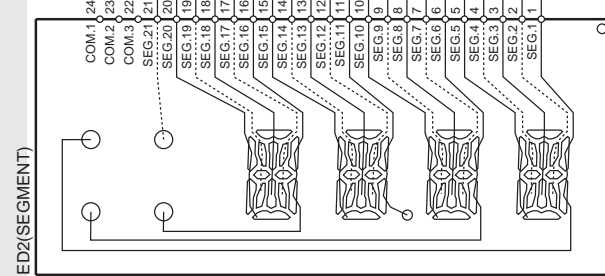
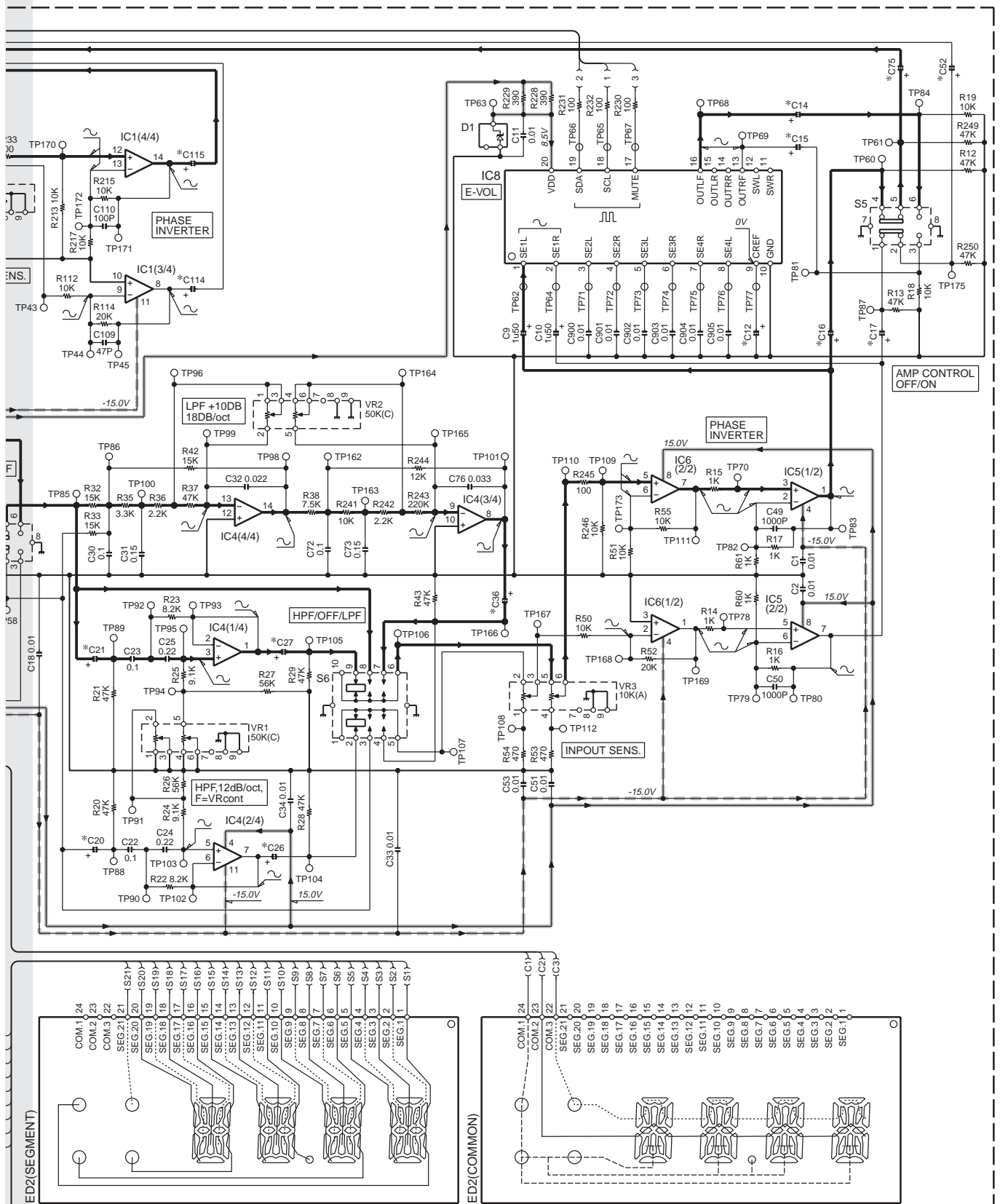
PREAMPLIFIER UNIT (X08-416x-xx)



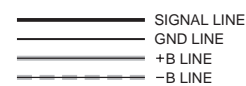
(X09-578x-xx)

MODEL NAME	UNIT No.	D92
KAC-PS541	0-10	B30-1601-05
KAC-X541		
KAC-X542	0-11	B30-1743-05

KAC-X542



- IC1,2,4 : NJM2058M-ZB
- IC5,6 : NJM4565MD-ZB
- IC7 : LC75853NE-E
- IC8 : E-TDA7409DTR
- D1 : 02CZ8.2-F(Y)
- D2 : *



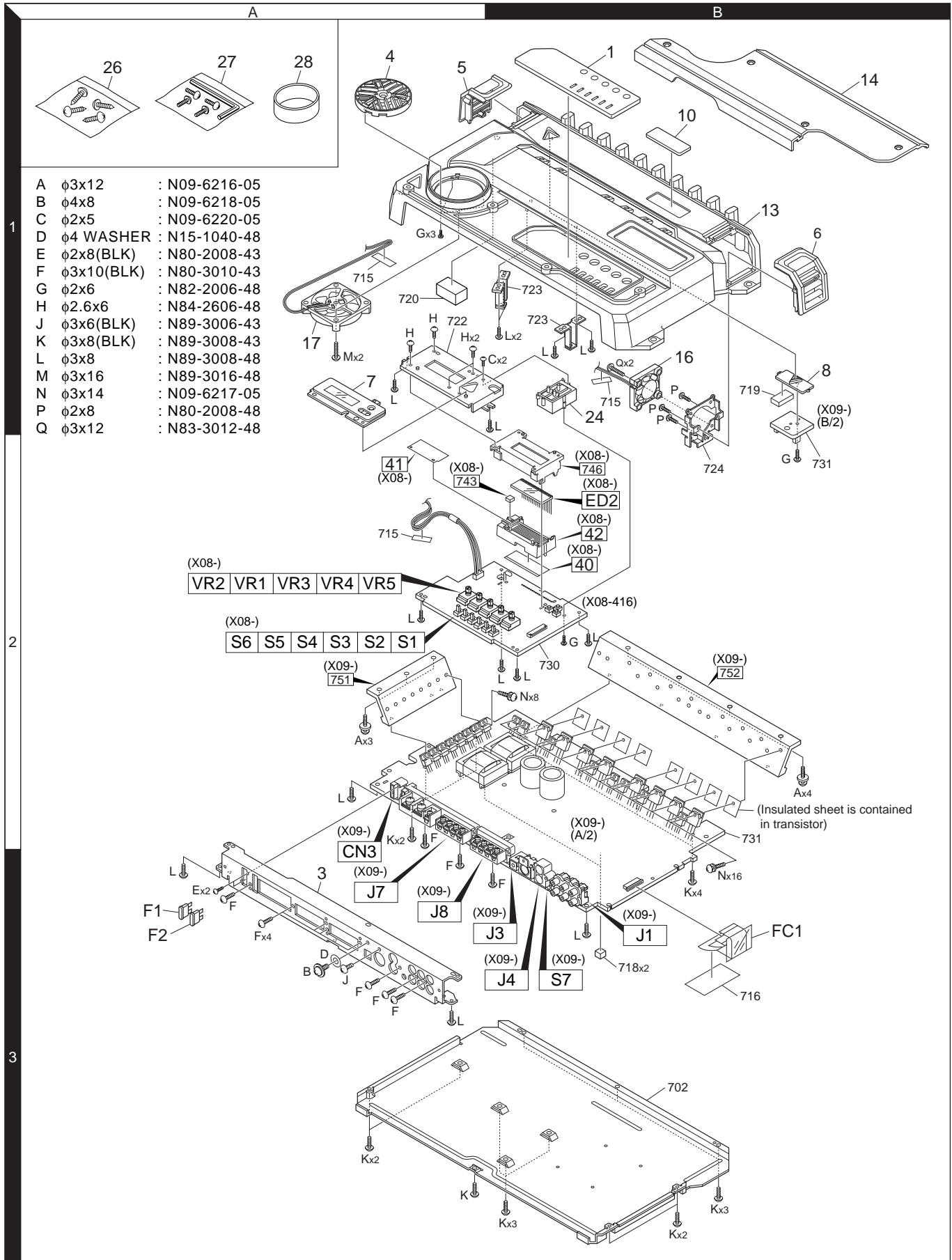
(X08-416x-xx)

MODEL NAME	UNIT No.	C12,14-17,20,21,26,27,36,52,63,64,75,101,102,107,108,114,115,200	D2
KAC-PS541	0-10	10u16	B30-1694-05
KAC-X541	0-11	10u35	B30-1641-05

KAC-X542 (2/2)

KAC-X542

EXPLODED VIEW



PARTS LIST

* New parts

Parts without **Parts No.** are not supplied.

Les articles non mentionnés dans le **Parts No.** ne sont pas fournis.

Teile ohne **Parts No.** werden nicht geliefert.

Ref. No.	Add	New	Parts No.	Description	Destination
KAC-X542					
1	1B	*	A21-6506-02	DRESSING PANEL	
3	3A	*	A64-3925-02	PANEL	
4	1A	*	B07-3176-03	ESCUTCHEON	
5	1A	*	B07-3177-02	ESCUTCHEON	
6	1B	*	B07-3178-02	ESCUTCHEON	
7	1A		B10-4717-03	FRONT GLASS	
8	1B		B19-2257-03	LIGHTING BOARD	
10	1B	*	B43-1537-04	BADGE	
-			B46-0682-00	WARRANTY CARD	
-		*	B64-3395-00	INST. MANUAL (ENG.FRE.SPA)	
FC1	3B		E39-0643-05	FLAT CABLE	
13	1B	*	F01-3534-01	HEAT SINK	
14	1B	*	F07-1178-02	COVER (TERMINAL COVER)	
16	1B	*	F09-1846-15	FAN (40X40X10)	
17	1A		F09-1885-15	FAN (60X60X11.5)	
△ F1,2	3A		F52-0015-05	FUSE (BLADE TYPE) (30A)	
-			H10-4894-13	POLYSTYRENE FOAMED FIXTURE	
-			H13-2056-04	CARTON BOARD	
-			H25-1199-04	PROTECTION BAG	
-			H25-1200-04	PROTECTION BAG (250X350X0.03)	
-		*	H54-3783-03	ITEM CARTON CASE	
24	1B		K24-4146-03	PUSH KNOB (VR CAP)	
26	1A		N99-1577-15	SCREW SET	
27	1A		N99-1770-15	SCREW & WRENCH KEY SET	
A	2A		N09-6216-05	TAPTITE SCREW (3X12)	
B	3A		N09-6218-05	TAPTITE SCREW (4X8)	
C	1B		N09-6220-05	MACHINE SCREW (2X5)	
D	3A		N15-1040-48	FLAT WASHER	
E	3A		N80-2008-43	PAN HEAD TAPTITE SCREW	
F	3A		N80-3010-43	PAN HEAD TAPTITE SCREW	
G	1A		N82-2006-48	BINDING HEAD TAPTITE SCREW	
H	1A		N84-2606-48	PAN HEAD TAPTITE SCREW	
J	3A		N89-3006-43	BINDING HEAD TAPTITE SCREW	
K	3B		N89-3008-43	BINDING HEAD TAPTITE SCREW	
L	2B		N89-3008-48	BINDING HEAD TAPTITE SCREW	
M	1A		N89-3016-48	BINDING HEAD TAPTITE SCREW	
P	1B		N80-2008-48	PAN HEAD TAPTITE SCREW	
Q	1B		N83-3012-48	PAN HEAD TAPTITE SCREW	
28	1A		W01-1606-05	ACCESSORY	
PREAMPLIFIER UNIT (X08-4160-11)					
40	2B		B11-1446-04	REFLECTION SHEET	
41	2A		B11-1447-04	OPTICAL DIFFUSER	
42	2B		B19-2258-12	LIGHTING BOARD	
D2			B30-1641-05	LED	
ED2	2B		B38-1150-05	LCD ASSY	
C1,2			CK73GB1H103K	CHIP C 0.010UF K	
C3-8			CK73FB1H224K	CHIP C 0.22UF K	
C9,10			CD04AS1H010M	ELECTRO 1UF 50WV	
C11			CK73GB1H103K	CHIP C 0.010UF K	
C12			CD04AS1V100M	ELECTRO 10UF 35WV	

Ref. No.	Add	New	Parts No.	Description	Destination
C14-17			CD04AS1V100M	ELECTRO 10UF 35WV	
C18,19			CK73GB1H103K	CHIP C 0.010UF K	
C20,21			CD04AS1V100M	ELECTRO 10UF 35WV	
C22,23			CK73GB1H104K	CHIP C 0.10UF K	
C24,25			CK73FB1H224K	CHIP C 0.22UF K	
C26,27			CD04AS1V100M	ELECTRO 10UF 35WV	
C28,29			CK73GB1H103K	CHIP C 0.010UF K	
C30			CK73GB1H104K	CHIP C 0.10UF K	
C31			CK73FB1E154K	CHIP C 0.15UF K	
C32			CK73GB1H223K	CHIP C 0.022UF K	
C33,34			CK73GB1H103K	CHIP C 0.010UF K	
C36			CD04AS1V100M	ELECTRO 10UF 35WV	
C49,50			CK73GB1H102K	CHIP C 1000PF K	
C51			CK73GB1H103K	CHIP C 0.010UF K	
C52			CD04AS1V100M	ELECTRO 10UF 35WV	
C53			CK73GB1H103K	CHIP C 0.010UF K	
C61,62			CK73FB1H224K	CHIP C 0.22UF K	
C63,64			CD04AS1V100M	ELECTRO 10UF 35WV	
C72			CK73GB1H104K	CHIP C 0.10UF K	
C73			CK73FB1E154K	CHIP C 0.15UF K	
C75			CD04AS1V100M	ELECTRO 10UF 35WV	
C76			CK73GB1H333K	CHIP C 0.033UF K	
C101,102			CD04AS1V100M	ELECTRO 10UF 35WV	
C103,104			CK73GB1H104K	CHIP C 0.10UF K	
C105,106			CK73FB1H224K	CHIP C 0.22UF K	
C107,108			CD04AS1V100M	ELECTRO 10UF 35WV	
C109			CC73GCH1H470J	CHIP C 47PF J	
C110			CC73GCH1H101J	CHIP C 100PF J	
C114,115			CD04AS1V100M	ELECTRO 10UF 35WV	
C200			CD04AS1V100M	ELECTRO 10UF 35WV	
C201			CK73GB1H103K	CHIP C 0.010UF K	
C202,203			CK73GB1H473K	CHIP C 0.047UF K	
C204			CK73GB1H821K	CHIP C 820PF K	
C900-905			CK73GB1H103K	CHIP C 0.010UF K	
C906			CK73GB1H102K	CHIP C 1000PF K	
CN1			E41-2186-05	FLAT CABLE CONNECTOR	
CN2			E41-0941-05	PIN ASSY	
WH2			E39-0655-05	WIRING HARNESS	
R1,2			RK73GB2A473J	CHIP R 47K J 1/10W	
R3,4			RK73GB2A134J	CHIP R 130K J 1/10W	
R5,6			RK73GB2A223J	CHIP R 22K J 1/10W	
R7,8			RK73GB2A563J	CHIP R 56K J 1/10W	
R9			RK73GB2A473J	CHIP R 47K J 1/10W	
R12,13			RK73GB2A473J	CHIP R 47K J 1/10W	
R14-17			RK73GB2A102J	CHIP R 1.0K J 1/10W	
R18,19			RK73GB2A103J	CHIP R 10K J 1/10W	
R20,21			RK73GB2A473J	CHIP R 47K J 1/10W	
R22,23			RK73GB2A822J	CHIP R 8.2K J 1/10W	
R24,25			RK73GB2A912J	CHIP R 9.1K J 1/10W	
R26,27			RK73GB2A563J	CHIP R 56K J 1/10W	
R28,29			RK73GB2A473J	CHIP R 47K J 1/10W	
R32,33			RK73GB2A153J	CHIP R 15K J 1/10W	
R35			RK73GB2A332J	CHIP R 3.3K J 1/10W	
R36			RK73GB2A222J	CHIP R 2.2K J 1/10W	

E : Europe K : North America M : Other Areas E : Without Europe

△ Indicates safety critical components.

PARTS LIST

PREAMPLIFIER UNIT (X08-4160-11)

Ref. No.	A d d	N e w	Parts No.	Description	Desti- nation
R37			RK73GB2A473J	CHIP R 47K J 1/10W	
R38			RK73GB2A752J	CHIP R 7.5K J 1/10W	
R42			RK73GB2A153J	CHIP R 15K J 1/10W	
R43			RK73GB2A473J	CHIP R 47K J 1/10W	
R50,51			RK73GB2A103J	CHIP R 10K J 1/10W	
R52			RK73GB2A203J	CHIP R 20K J 1/10W	
R53,54			RK73GB2A471J	CHIP R 470 J 1/10W	
R55			RK73GB2A103J	CHIP R 10K J 1/10W	
R60,61			RK73GB2A102J	CHIP R 1.0K J 1/10W	
R101,102			RK73GB2A473J	CHIP R 47K J 1/10W	
R103			RK73GB2A912J	CHIP R 9.1K J 1/10W	
R104			RK73GB2A822J	CHIP R 8.2K J 1/10W	
R105			RK73GB2A563J	CHIP R 56K J 1/10W	
R107			RK73GB2A473J	CHIP R 47K J 1/10W	
R108			RK73GB2A563J	CHIP R 56K J 1/10W	
R110,111			RK73GB2A473J	CHIP R 47K J 1/10W	
R112			RK73GB2A103J	CHIP R 10K J 1/10W	
R114			RK73GB2A203J	CHIP R 20K J 1/10W	
R115,116			RK73GB2A473J	CHIP R 47K J 1/10W	
R122			RK73GB2A822J	CHIP R 8.2K J 1/10W	
R126			RK73GB2A912J	CHIP R 9.1K J 1/10W	
R128,129			RK73GB2A471J	CHIP R 470 J 1/10W	
R200			RK73GB2A472J	CHIP R 4.7K J 1/10W	
R201			RK73GB2A683J	CHIP R 68K J 1/10W	
R202-205			RK73GB2A471J	CHIP R 470 J 1/10W	
R206-209			RK73GB2A102J	CHIP R 1.0K J 1/10W	
R210			RK73GB2A104J	CHIP R 100K J 1/10W	
R211			RK73GB2A102J	CHIP R 1.0K J 1/10W	
R213			RK73GB2A103J	CHIP R 10K J 1/10W	
R215			RK73GB2A103J	CHIP R 10K J 1/10W	
R217			RK73GB2A103J	CHIP R 10K J 1/10W	
R228,229			RD14BB2C391J	RD 390 J 1/6W	
R230-233			RK73GB2A101J	CHIP R 100 J 1/10W	
R237,238			RK73GB2A393J	CHIP R 39K J 1/10W	
R239,240			RK73GB2A473J	CHIP R 47K J 1/10W	
R241			RK73GB2A103J	CHIP R 10K J 1/10W	
R242			RK73GB2A222J	CHIP R 2.2K J 1/10W	
R243			RK73GB2A224J	CHIP R 220K J 1/10W	
R244			RK73GB2A123J	CHIP R 12K J 1/10W	
R245			RK73GB2A101J	CHIP R 100 J 1/10W	
R246			RK73GB2A103J	CHIP R 10K J 1/10W	
R247,248			RK73GB2A150J	CHIP R 15 J 1/10W	
R249,250			RK73GB2A473J	CHIP R 47K J 1/10W	
VR1,2	2A		R31-0241-05	VARIABLE RESISTOR 50K (C)	
VR3	2A		R31-0238-05	VARIABLE RESISTOR 10K (A)	
VR4	2A		R31-0241-05	VARIABLE RESISTOR 50K (C)	
VR5	2A		R31-0238-05	VARIABLE RESISTOR 10K (A)	
S1-5	2A		S62-0873-05	SLIDE SWITCH	
S6	2A		S62-0874-05	SLIDE SWITCH	
S7-9			S70-0922-05	TACT SWITCH	
D1		*	02CZ8.2-F(Y)	ZENER DIODE	
IC1,2			NJM2058M-ZB	ANALOGUE IC	
IC4			NJM2058M-ZB	ANALOGUE IC	
IC5,6			NJM4565MD-ZB	ANALOGUE IC	

Ref. No.	A d d	N e w	Parts No.	Description	Desti- nation
IC7			LC75853NE-E	MOS-IC	
IC8			E-TDA7409DTR	ANALOGUE IC	
AUDIO UNIT (X09-5780-11)					
D92		*	B30-1743-05	LED (RED LED)	
C1			C90-5557-05	ELECTRO 10UF 25WV	
C2			CD04BJ1E470M	ELECTRO 47UF 25WV	
C3			CQ93FMG1H102J	MYLAR 1000PF J	
C4			CD04BJ1A101M	ELECTRO 100UF 10WV	
C5			CD04BJ1H100M	ELECTRO 10UF 50WV	
C6-10			CK73GB1H103K	CHIP C 0.010UF K	
C11,12			CD04BC1C392M	ELECTRO 3900UF 16WV	
C13			CK73GB1H103K	CHIP C 0.010UF K	
C14			CD04BJ1H100M	ELECTRO 10UF 50WV	
C17			CD04BJ1H100M	ELECTRO 10UF 50WV	
C19,20			CD04BJ1E470M	ELECTRO 47UF 25WV	
C21,22			CK73GB1H103K	CHIP C 0.010UF K	
C23,24			CQ93FMG1H152J	MYLAR 1500PF J	
C27,28			CD04BJ1H100M	ELECTRO 10UF 50WV	
C29			CD04BJ1E221M	ELECTRO 220UF 25WV	
C30			CK73GB1H103K	CHIP C 0.010UF K	
C31,32			CC73GCH1H120J	CHIP C 12PF J	
C33,34			CK73GB1H103K	CHIP C 0.010UF K	
C35,36			C90-5691-05	ELECTRO 4700UF 42WV	
C37,38			CK73GB1H103K	CHIP C 0.010UF K	
C50			CD04BJ1H100M	ELECTRO 10UF 50WV	
C51			CD04BJ1H010M	ELECTRO 1.0UF 50WV	
C52			CD04BJ1E470M	ELECTRO 47UF 25WV	
C53			CK73GB1H104K	CHIP C 0.10UF K	
C54			CD04BJ1H100M	ELECTRO 10UF 50WV	
C55			CK73GB1H103K	CHIP C 0.010UF K	
C69			CD04BJ1H100M	ELECTRO 10UF 50WV	
C70			CK73GB1H103K	CHIP C 0.010UF K	
C72			CD04BJ1A101M	ELECTRO 100UF 10WV	
C75			CD04BJ1H100M	ELECTRO 10UF 50WV	
C76			CK73GB1H103K	CHIP C 0.010UF K	
C77			CD04BJ1A221M	ELECTRO 220UF 10WV	
C78			CK73GB1H103K	CHIP C 0.010UF K	
C80			CD04BJ1H100M	ELECTRO 10UF 50WV	
C81			CD04BJ1E470M	ELECTRO 47UF 25WV	
C82			CK73GB1H103K	CHIP C 0.010UF K	
C85			CD04BJ1A101M	ELECTRO 100UF 10WV	
C86			CD04BJ1H2R2M	ELECTRO 2.2UF 50WV	
C98,99			CK73GB1H103K	CHIP C 0.010UF K	
C100			CQ93FMG1H102J	MYLAR 1000PF J	
C101,102			CK73GB1H102K	CHIP C 1000PF K	
C103,104			CD04BJ1H100M	ELECTRO 10UF 50WV	
C105,106			CC73GCH1H150J	CHIP C 15PF J	
C107			CK73FB1H104K	CHIP C 0.10UF K	
C113,114			CC73GCH1H150J	CHIP C 15PF J	
C115,116			CD04BJ1H100M	ELECTRO 10UF 50WV	
C124			CK73FB1H104K	CHIP C 0.10UF K	
C125			CK73GB1H471K	CHIP C 470PF K	
C126			CK73GB1H102K	CHIP C 1000PF K	
C131,132			CC73GCH1H150J	CHIP C 15PF J	

E : Europe K : North America M : Other Areas E : Without Europe

△ Indicates safety critical components.

PARTS LIST

AUDIO UNIT (X09-5780-11)

Ref. No.	Add	New	Parts No.	Description	Destination	Ref. No.	Add	New	Parts No.	Description	Destination
C150			CD04BJ1C220M	ELECTRO 22UF 16WV		J1			E63-0922-05	PIN JACK (6P)	
C161			CD04BJ1H221M	ELECTRO 220UF 50WV		J3			E56-0856-05	CYLINDRICAL RECEPTACLE (13P)	
C200			CQ93FMG1H102J	MYLAR 1000PF J		J4			E56-0853-05	CYLINDRICAL RECEPTACLE (4PX2)	
C201,202			CK73GB1H102K	CHIP C 1000PF K		J7			E70-0838-05	SCREW TERMINAL BOARD (7P)	
C203,204			CD04BJ1H100M	ELECTRO 10UF 50WV		J8			E70-0840-05	SCREW TERMINAL BOARD (4P)	
C205,206			CC73GCH1H150J	CHIP C 15PF J		△ CN3			J13-0602-05	FUSE HOLDER	
C213,214			CC73GCH1H150J	CHIP C 15PF J		L1			L33-1972-05	CHOKO COIL (25UH)	
C215,216			CD04BJ1C220M	ELECTRO 22UF 16WV		L3,4			L19-0755-05	TRANSFORMER FOR CONVERTER	
C224			CK73FB1H104K	CHIP C 0.10UF K		L5			L19-0758-05	TRANSFORMER FOR CONVERTER	
C225			CK73GB1H471K	CHIP C 470PF K		L9			L41-4795-33	SMALL FIXED INDUCTOR (4.7UH)	
C226			CK73GB1H102K	CHIP C 1000PF K		X1			L77-2844-05	CRYSTAL RESONATOR (12.288MHZ)	
C231,232			CC73GCH1H150J	CHIP C 15PF J		F			N80-3010-43	PAN HEAD TAPTITE SCREW	
C250			CD04BJ1C220M	ELECTRO 22UF 16WV		K			N89-3008-43	BINDING HEAD TAPTITE SCREW	
C255			CD04BJ1H100M	ELECTRO 10UF 50WV		N			N09-6217-05	TAPTITE SCREW (3X14)	
C301,302			CD04BJ1H100M	ELECTRO 10UF 50WV		R1			RK73GB2A153J	CHIP R 15K J 1/10W	
C303,304			CK73GB1H471K	CHIP C 470PF K		R2			RK73GB2A822J	CHIP R 8.2K J 1/10W	
C305,306			CQ93FMG1H472J	MYLAR 4700PF J		R3			RK73GB2A104J	CHIP R 100K J 1/10W	
C307,308			CD04BJ1E470M	ELECTRO 47UF 25WV		R4			RD14BB2C182J	RD 1.8K J 1/6W	
C309,310			CC45FSL1H220J	CERAMIC 22PF J		R7,8			RK73GB2A152J	CHIP R 1.5K J 1/10W	
C311,312			CC45FSL1H101J	CERAMIC 100PF J		R9,10			RK73GB2A560J	CHIP R 56 J 1/10W	
C313,314			CC45FSL1H121J	CERAMIC 120PF J		R11,12			RK73GB2A100J	CHIP R 10 J 1/10W	
C315,316			CD04BJ1H100M	ELECTRO 10UF 50WV		R13,14			RK73GB2A472J	CHIP R 4.7K J 1/10W	
C319-322			CK73GB1H682K	CHIP C 6800PF K		R17			RD14BB2C332J	RD 3.3K J 1/6W	
C350,351			CQ93FMG1H473J	MYLAR 0.047UF J		R19			RK73GB2A113J	CHIP R 11K J 1/10W	
C352-355			CK73GB1H102K	CHIP C 1000PF K		R20			RK73GB2A103J	CHIP R 10K J 1/10W	
C363,364			CK73GB1H221K	CHIP C 220PF K		R21			RK73FB2B101J	CHIP R 100 J 1/8W	
C401,402			CD04BJ1H100M	ELECTRO 10UF 50WV		R22			RD14BB2C622J	RD 6.2K J 1/6W	
C403,404			CK73GB1H681K	CHIP C 680PF K		R23,24			RD14DB2H100J	SMALL-RD 10 J 1/2W	
C405,406			CQ93FMG1H472J	MYLAR 4700PF J		R25,26			RD14BB2C183J	RD 18K J 1/6W	
C407,408			CD04BJ1E470M	ELECTRO 47UF 25WV		R32			RK73GB2A152J	CHIP R 1.5K J 1/10W	
C409,410			CC45FSL1H220J	CERAMIC 22PF J		R40			RK73GB2A332J	CHIP R 3.3K J 1/10W	
C411,412			CC45FSL1H101J	CERAMIC 100PF J		R45			RK73GB2A333J	CHIP R 33K J 1/10W	
C413,414			CC45FSL1H121J	CERAMIC 120PF J		R46			RK73GB2A511J	CHIP R 510 J 1/10W	
C415,416			CD04BJ1H100M	ELECTRO 10UF 50WV		R47			RK73GB2A102J	CHIP R 1.0K J 1/10W	
C419-422			CK73GB1H682K	CHIP C 6800PF K		R48			RK73GB2A103J	CHIP R 10K J 1/10W	
C450,451			CQ93FMG1H473J	MYLAR 0.047UF J		R50			RK73GB2A103J	CHIP R 10K J 1/10W	
C452-455			CK73GB1H102K	CHIP C 1000PF K		R51			RK73GB2A472J	CHIP R 4.7K J 1/10W	
C461			CD04BJ1H221M	ELECTRO 220UF 50WV		R58			RK73GB2A104J	CHIP R 100K J 1/10W	
C463,464			CK73GB1H221K	CHIP C 220PF K		R59			RK73GB2A472J	CHIP R 4.7K J 1/10W	
C501,502			CK73GB1H102K	CHIP C 1000PF K		R60			RK73GB2A473J	CHIP R 47K J 1/10W	
C503			CK73GB1H103K	CHIP C 0.010UF K		R62			RK73GB2A152J	CHIP R 1.5K J 1/10W	
C504			CK73GB1H104K	CHIP C 0.10UF K		R63			RK73GB2A392J	CHIP R 3.9K J 1/10W	
C506			C90-5557-05	ELECTRO 10UF 25WV		R64			RK73GB2A103J	CHIP R 10K J 1/10W	
C507			CK73GB1H104K	CHIP C 0.10UF K		R65			RK73GB2A222J	CHIP R 2.2K J 1/10W	
C508			CD04BJ1E470M	ELECTRO 47UF 25WV		R66			RK73GB2A332J	CHIP R 3.3K J 1/10W	
C509-511			CC73GCH1H101J	CHIP C 100PF J		R67			RK73GB2A103J	CHIP R 10K J 1/10W	
C512,513			CK73FB1H104K	CHIP C 0.10UF K		R68			RK73GB2A102J	CHIP R 1.0K J 1/10W	
C515,516			CC73GCH1H101J	CHIP C 100PF J		R69-75			RK73GB2A103J	CHIP R 10K J 1/10W	
C517			CK73FB1H104K	CHIP C 0.10UF K		R76			RK73GB2A682J	CHIP R 6.8K J 1/10W	
C902			CD04BC1C392M	ELECTRO 3900UF 16WV		R78			RK73GB2A682J	CHIP R 6.8K J 1/10W	
C920,921			CK73GB1H103K	CHIP C 0.010UF K		R79,80			RK73GB2A470J	CHIP R 47 J 1/10W	
CN1			E41-0928-05	PIN ASSY (3P)		R81			RK73GB2A223J	CHIP R 22K J 1/10W	
CN2			E41-0927-05	PIN ASSY (2P)		R82			RK73GB2A331J	CHIP R 330 J 1/10W	
CN4			E41-2203-05	FLAT CABLE CONNECTOR (30P)		R83			RK73GB2A153J	CHIP R 15K J 1/10W	

E : Europe K : North America M : Other Areas E : Without Europe

△ Indicates safety critical components.

PARTS LIST

AUDIO UNIT (X09-5780-11)

Ref. No.	A d d	N e w	Parts No.	Description	Desti- nation
R84			RK73GB2A473J	CHIP R 47K J 1/10W	
R86			RK73GB2A123J	CHIP R 12K J 1/10W	
R87			RK73GB2A562J	CHIP R 5.6K J 1/10W	
R90			RK73GB2A392J	CHIP R 3.9K J 1/10W	
R91			RK73GB2A103J	CHIP R 10K J 1/10W	
R92-95			RK73GB2A473J	CHIP R 47K J 1/10W	
R96			RK73GB2A104J	CHIP R 100K J 1/10W	
R97			RK73GB2A103J	CHIP R 10K J 1/10W	
R98			RK73GB2A822J	CHIP R 8.2K J 1/10W	
R99			RK73GB2A103J	CHIP R 10K J 1/10W	
R100			RK73EB2E102J	CHIP R 1.0K J 1/4W	
R101,102			RD14BB2C102J	RD 1.0K J 1/6W	
R103-108			RK73GB2A103J	CHIP R 10K J 1/10W	
R109-112			RK73GH2A103D	CHIP R 10K D 1/10W	
R123-126			RK73GH2A103D	CHIP R 10K D 1/10W	
R127,128			RK73GB2A223J	CHIP R 22K J 1/10W	
R161			RD14DB2H100J	SMALL-RD 10 J 1/2W	
R170			RK73GB2A102J	CHIP R 1.0K J 1/10W	
R172			RK73GB2A102J	CHIP R 1.0K J 1/10W	
R174			RK73GB2A103J	CHIP R 10K J 1/10W	
R179			RK73GB2A102J	CHIP R 1.0K J 1/10W	
R187			RK73GB2A680J	CHIP R 68 J 1/10W	
R194-196			RK73GB2A222J	CHIP R 2.2K J 1/10W	
R197			RD14BB2C301J	RD 300 J 1/6W	
R200			RK73EB2E102J	CHIP R 1.0K J 1/4W	
R201,202			RD14BB2C102J	RD 1.0K J 1/6W	
R203-208			RK73GB2A103J	CHIP R 10K J 1/10W	
R209-212			RK73GH2A103D	CHIP R 10K D 1/10W	
R223-226			RK73GH2A103D	CHIP R 10K D 1/10W	
R227,228			RK73GB2A362J	CHIP R 3.6K J 1/10W	
R232			RK73FB2B102J	CHIP R 1.0K J 1/8W	
R241			RK73GB2A512J	CHIP R 5.1K J 1/10W	
R270			RK73GB2A102J	CHIP R 1.0K J 1/10W	
R272			RK73GB2A102J	CHIP R 1.0K J 1/10W	
R294-296			RK73GB2A222J	CHIP R 2.2K J 1/10W	
R297			RD14BB2C301J	RD 300 J 1/6W	
R301,302			RK73GB2A302J	CHIP R 3.0K J 1/10W	
R303,304			RK73FB2B223J	CHIP R 22K J 1/8W	
R305-308			RK73FB2B102J	CHIP R 1.0K J 1/8W	
R309,310			RK73FB2B101J	CHIP R 100 J 1/8W	
R311,312			RK73FB2B102J	CHIP R 1.0K J 1/8W	
R313,314			RK73FB2B223J	CHIP R 22K J 1/8W	
R315-318			RK73FB2B151J	CHIP R 150 J 1/8W	
R319-322			RD14NB2E432J	RD 4.3K J 1/4W	
R323,324			RK73FB2B151J	CHIP R 150 J 1/8W	
R325,326			RK73GB2A511J	CHIP R 510 J 1/10W	
R328			RD14NB2E101J	RD 100 J 1/4W	
R329-331			RK73FB2B102J	CHIP R 1.0K J 1/8W	
R333-335			RD14NB2E101J	RD 100 J 1/4W	
R337-340			RK73FB2B152J	CHIP R 1.5K J 1/8W	
R341-344			RD14NB2E4R7J	RD 4.7 J 1/4W	
R345-348			R92-0205-05	METAL-PLATE 0.1 K 2W	
R351			RK73GB2A330J	CHIP R 33 J 1/10W	
R355,356			RK73FB2B682J	CHIP R 6.8K J 1/8W	
R357,358			RK73GB2A182J	CHIP R 1.8K J 1/10W	

Ref. No.	A d d	N e w	Parts No.	Description	Desti- nation
R359			RD14NB2E221J	RD 220 J 1/4W	
R360			RK73GB2A330J	CHIP R 33 J 1/10W	
R361			RD14NB2E221J	RD 220 J 1/4W	
R363,364			RK73GB2A152J	CHIP R 1.5K J 1/10W	
R365,366			RK73GB2A622J	CHIP R 6.2K J 1/10W	
R370,371			RD14DB2H100J	SMALL-RD 10 J 1/2W	
R401,402			RK73GB2A472J	CHIP R 4.7K J 1/10W	
R403,404			RK73FB2B223J	CHIP R 22K J 1/8W	
R405-408			RK73FB2B102J	CHIP R 1.0K J 1/8W	
R409,410			RK73FB2B101J	CHIP R 100 J 1/8W	
R411,412			RK73FB2B102J	CHIP R 1.0K J 1/8W	
R413,414			RK73FB2B223J	CHIP R 22K J 1/8W	
R416-418			RK73FB2B151J	CHIP R 150 J 1/8W	
R419,420			RD14NB2E432J	RD 4.3K J 1/4W	
R421			RK73GB2A182J	CHIP R 1.8K J 1/10W	
R422			RD14NB2E432J	RD 4.3K J 1/4W	
R423,424			RK73FB2B151J	CHIP R 150 J 1/8W	
R425,426			RK73GB2A511J	CHIP R 510 J 1/10W	
R428			RD14NB2E101J	RD 100 J 1/4W	
R429-432			RK73FB2B102J	CHIP R 1.0K J 1/8W	
R433-435			RD14NB2E101J	RD 100 J 1/4W	
R437-440			RK73FB2B152J	CHIP R 1.5K J 1/8W	
R441-444			RD14NB2E4R7J	RD 4.7 J 1/4W	
R445-448			R92-0205-05	METAL-PLATE 0.1 K 2W	
R451,452			RK73FB2B682J	CHIP R 6.8K J 1/8W	
R453			RK73FB2B151J	CHIP R 150 J 1/8W	
R454			RD14NB2E221J	RD 220 J 1/4W	
R455			RD14NB2E432J	RD 4.3K J 1/4W	
R457			RK73GB2A330J	CHIP R 33 J 1/10W	
R458			RK73GB2A182J	CHIP R 1.8K J 1/10W	
R459			RD14NB2E221J	RD 220 J 1/4W	
R460			RK73GB2A330J	CHIP R 33 J 1/10W	
R461			RD14DB2H100J	SMALL-RD 10 J 1/2W	
R463,464			RK73GB2A152J	CHIP R 1.5K J 1/10W	
R465,466			RK73GB2A622J	CHIP R 6.2K J 1/10W	
R470,471			RD14DB2H100J	SMALL-RD 10 J 1/2W	
R472			RK73GB2A473J	CHIP R 47K J 1/10W	
R500,501			RD14BB2C102J	RD 1.0K J 1/6W	
R502			RD14BB2C104J	RD 100K J 1/6W	
R503			RD14BB2C153J	RD 15K J 1/6W	
R504			RK73GB2A105J	CHIP R 1.0M J 1/10W	
R505			RK73GB2A103J	CHIP R 10K J 1/10W	
R506,507			RK73GB2A472J	CHIP R 4.7K J 1/10W	
R508			RK73GB2A473J	CHIP R 47K J 1/10W	
R509,510			RK73GB2A472J	CHIP R 4.7K J 1/10W	
R511			RK73GB2A470J	CHIP R 47 J 1/10W	
R512			RD14BB2C470J	RD 47 J 1/6W	
R513			RK73GB2A272J	CHIP R 2.7K J 1/10W	
R514			RK73GB2A392J	CHIP R 3.9K J 1/10W	
R515			RK73GB2A152J	CHIP R 1.5K J 1/10W	
R516			RD14BB2C153J	RD 15K J 1/6W	
R517			RK73GB2A123J	CHIP R 12K J 1/10W	
R518			RK73GB2A203J	CHIP R 20K J 1/10W	
R519,520			RK73GB2A152J	CHIP R 1.5K J 1/10W	
R521			RK73GB2A123J	CHIP R 12K J 1/10W	

E : Europe K : North America M : Other Areas E : Without Europe

△ Indicates safety critical components.

PARTS LIST

AUDIO UNIT (X09-5780-11)

Ref. No.	Add	New	Parts No.	Description	Destination	Ref. No.	Add	New	Parts No.	Description	Destination
R522			RK73GB2A203J	CHIP R 20K J 1/10W		R973,974			RK73GB2A153J	CHIP R 15K J 1/10W	
R523			RD14BB2C473J	RD 47K J 1/6W		VR5-8			R32-0294-05	SEMI FIXED VARIABLE RESISTOR	
R524			RK73GB2A470J	CHIP R 47 J 1/10W		W500-502			R92-1252-05	CHIP R 0 OHM J 1/16W	
R525			RD14BB2C470J	RD 47 J 1/6W		W503-509			RK73EB2E000J	CHIP R 0.0 J 1/4W	
R526-528			RK73GB2A101J	CHIP R 100 J 1/10W		W510			R92-1252-05	CHIP R 0 OHM J 1/16W	
R529			RD14BB2C221J	RD 220 J 1/6W		W511-514			RK73EB2E000J	CHIP R 0.0 J 1/4W	
R530,531			RK73GB2A101J	CHIP R 100 J 1/10W		W515			R92-1252-05	CHIP R 0 OHM J 1/16W	
R532			RK73GB2A105J	CHIP R 1.0M J 1/10W		W516-522			RK73EB2E000J	CHIP R 0.0 J 1/4W	
R533-536			RK73GB2A272J	CHIP R 2.7K J 1/10W		W523,524			R92-1252-05	CHIP R 0 OHM J 1/16W	
R537			RK73GB2A102J	CHIP R 1.0K J 1/10W		W525-529			RK73EB2E000J	CHIP R 0.0 J 1/4W	
R539-542			RK73GB2A102J	CHIP R 1.0K J 1/10W		W530			R92-1252-05	CHIP R 0 OHM J 1/16W	
R543			RK73GB2A101J	CHIP R 100 J 1/10W		W531-534			RK73EB2E000J	CHIP R 0.0 J 1/4W	
R544-546			RK73GB2A103J	CHIP R 10K J 1/10W		W535,536			R92-1252-05	CHIP R 0 OHM J 1/16W	
R548-550			RK73GB2A103J	CHIP R 10K J 1/10W		W537-541			RK73EB2E000J	CHIP R 0.0 J 1/4W	
R555			RK73GB2A103J	CHIP R 10K J 1/10W		W542			R92-1252-05	CHIP R 0 OHM J 1/16W	
R556			RK73GB2A302J	CHIP R 3.0K J 1/10W		W543			RK73EB2E000J	CHIP R 0.0 J 1/4W	
R560			RK73GB2A473J	CHIP R 47K J 1/10W		W544-546			R92-1252-05	CHIP R 0 OHM J 1/16W	
R561,562			RK73GB2A104J	CHIP R 100K J 1/10W		W547			RK73EB2E000J	CHIP R 0.0 J 1/4W	
R563,564			RK73GB2A101J	CHIP R 100 J 1/10W		W548			R92-1252-05	CHIP R 0 OHM J 1/16W	
R565			RK73GB2A113J	CHIP R 11K J 1/10W		W549			RK73EB2E000J	CHIP R 0.0 J 1/4W	
R566			RK73GB2A103J	CHIP R 10K J 1/10W		W550-552			R92-1252-05	CHIP R 0 OHM J 1/16W	
R567			RK73GB2A113J	CHIP R 11K J 1/10W		W553			RK73EB2E000J	CHIP R 0.0 J 1/4W	
R568			RK73GB2A103J	CHIP R 10K J 1/10W		W554-560			R92-1252-05	CHIP R 0 OHM J 1/16W	
R569			RK73GB2A113J	CHIP R 11K J 1/10W		W561			RK73EB2E000J	CHIP R 0.0 J 1/4W	
R570			RK73GB2A471J	CHIP R 470 J 1/10W		W562			R92-1252-05	CHIP R 0 OHM J 1/16W	
R571			RK73GB2A103J	CHIP R 10K J 1/10W		W563			RK73EB2E000J	CHIP R 0.0 J 1/4W	
R572,573			RD14BB2C4R7J	RD 4.7 J 1/6W		W564			R92-1252-05	CHIP R 0 OHM J 1/16W	
R574			RK73GB2A181J	CHIP R 180 J 1/10W		W565,566			RK73EB2E000J	CHIP R 0.0 J 1/4W	
R576			RK73GB2A181J	CHIP R 180 J 1/10W		W567-572			R92-1252-05	CHIP R 0 OHM J 1/16W	
R577,578			RK73GB2A100J	CHIP R 10 J 1/10W		W573			RK73EB2E000J	CHIP R 0.0 J 1/4W	
R579			RK73GB2A113J	CHIP R 11K J 1/10W		W574,575			R92-1252-05	CHIP R 0 OHM J 1/16W	
R580,581			RK73GB2A103J	CHIP R 10K J 1/10W		W576			RK73EB2E000J	CHIP R 0.0 J 1/4W	
R582			RK73GB2A104J	CHIP R 100K J 1/10W		W577-579			R92-1252-05	CHIP R 0 OHM J 1/16W	
R590			RK73GB2A473J	CHIP R 47K J 1/10W		W580,581			RK73EB2E000J	CHIP R 0.0 J 1/4W	
R600,601			RD14BB2C271J	RD 270 J 1/6W		W582			R92-1252-05	CHIP R 0 OHM J 1/16W	
R602			RK73GB2A432J	CHIP R 4.3K J 1/10W		W583,584			RK73EB2E000J	CHIP R 0.0 J 1/4W	
R603			RK73GB2A103J	CHIP R 10K J 1/10W		W585,586			R92-1252-05	CHIP R 0 OHM J 1/16W	
R604			RK73GB2A100J	CHIP R 10 J 1/10W		W587,588			RK73EB2E000J	CHIP R 0.0 J 1/4W	
R605			RK73GB2A432J	CHIP R 4.3K J 1/10W		W589,590			R92-1252-05	CHIP R 0 OHM J 1/16W	
R606,607			RK73GB2A182J	CHIP R 1.8K J 1/10W		W591,592			RK73EB2E000J	CHIP R 0.0 J 1/4W	
R610			RK73GB2A104J	CHIP R 100K J 1/10W		W593			R92-1252-05	CHIP R 0 OHM J 1/16W	
R611			RK73GB2A103J	CHIP R 10K J 1/10W		W594			RK73EB2E000J	CHIP R 0.0 J 1/4W	
R612			RK73GB2A271J	CHIP R 270 J 1/10W		W595-597			R92-1252-05	CHIP R 0 OHM J 1/16W	
R613			RK73GB2A103J	CHIP R 10K J 1/10W		W598			RK73EB2E000J	CHIP R 0.0 J 1/4W	
R614			RK73GB2A102J	CHIP R 1.0K J 1/10W		W599-602			R92-1252-05	CHIP R 0 OHM J 1/16W	
R619			RK73GB2A153J	CHIP R 15K J 1/10W		W603,604			RK73EB2E000J	CHIP R 0.0 J 1/4W	
R620			RK73GB2A103J	CHIP R 10K J 1/10W		W605-607			R92-1252-05	CHIP R 0 OHM J 1/16W	
R681			RK73GB2A123J	CHIP R 12K J 1/10W		W608			RK73EB2E000J	CHIP R 0.0 J 1/4W	
R905,906			RK73GB2A332J	CHIP R 3.3K J 1/10W		W610			R92-1252-05	CHIP R 0 OHM J 1/16W	
R933,934			RK73GB2A223J	CHIP R 22K J 1/10W		W611			RK73EB2E000J	CHIP R 0.0 J 1/4W	
R945,946			RK73GB2A332J	CHIP R 3.3K J 1/10W		W612			R92-1252-05	CHIP R 0 OHM J 1/16W	
R961			RK73GB2A473J	CHIP R 47K J 1/10W		W613,614			RK73EB2E000J	CHIP R 0.0 J 1/4W	
R964			RK73GB2A153J	CHIP R 15K J 1/10W		W615			R92-1252-05	CHIP R 0 OHM J 1/16W	
R967			RK73GB2A331J	CHIP R 330 J 1/10W		W616			RK73EB2E000J	CHIP R 0.0 J 1/4W	
R970			RK73GB2A223J	CHIP R 22K J 1/10W		W617,618			R92-1252-05	CHIP R 0 OHM J 1/16W	

E : Europe K : North America M : Other Areas E : Without Europe

△ Indicates safety critical components.

PARTS LIST

AUDIO UNIT (X09-5780-11)

Ref. No.	A d d	N e w	Parts No.	Description	Desti- nation
W619-622			RK73EB2E000J	CHIP R 0.0 J 1/4W	
W623,624			R92-1252-05	CHIP R 0 OHM J 1/16W	
W625			RK73EB2E000J	CHIP R 0.0 J 1/4W	
W626			R92-1252-05	CHIP R 0 OHM J 1/16W	
W627			RK73EB2E000J	CHIP R 0.0 J 1/4W	
W628			R92-1252-05	CHIP R 0 OHM J 1/16W	
W629			RK73EB2E000J	CHIP R 0.0 J 1/4W	
W630			R92-1252-05	CHIP R 0 OHM J 1/16W	
W631			RK73EB2E000J	CHIP R 0.0 J 1/4W	
W632,633			R92-1252-05	CHIP R 0 OHM J 1/16W	
W634-636			RK73EB2E000J	CHIP R 0.0 J 1/4W	
W637			R92-1252-05	CHIP R 0 OHM J 1/16W	
W638			RK73EB2E000J	CHIP R 0.0 J 1/4W	
W639,640			R92-1252-05	CHIP R 0 OHM J 1/16W	
W641			RK73EB2E000J	CHIP R 0.0 J 1/4W	
W642-645			R92-1252-05	CHIP R 0 OHM J 1/16W	
W646,647			RK73EB2E000J	CHIP R 0.0 J 1/4W	
W648,649			R92-1252-05	CHIP R 0 OHM J 1/16W	
W650,651			RK73EB2E000J	CHIP R 0.0 J 1/4W	
W652,653			R92-1252-05	CHIP R 0 OHM J 1/16W	
W654			RK73EB2E000J	CHIP R 0.0 J 1/4W	
W655-658			R92-1252-05	CHIP R 0 OHM J 1/16W	
W659			RK73EB2E000J	CHIP R 0.0 J 1/4W	
W660,661			R92-1252-05	CHIP R 0 OHM J 1/16W	
W662-666			RK73EB2E000J	CHIP R 0.0 J 1/4W	
W667-669			R92-1252-05	CHIP R 0 OHM J 1/16W	
W700,701			R92-1252-05	CHIP R 0 OHM J 1/16W	
W702,703			RK73EB2E000J	CHIP R 0.0 J 1/4W	
W704-707			R92-1252-05	CHIP R 0 OHM J 1/16W	
W708			RK73EB2E000J	CHIP R 0.0 J 1/4W	
W709			R92-1252-05	CHIP R 0 OHM J 1/16W	
W710			RK73EB2E000J	CHIP R 0.0 J 1/4W	
W711			R92-1252-05	CHIP R 0 OHM J 1/16W	
W712			RK73EB2E000J	CHIP R 0.0 J 1/4W	
W713-719			R92-1252-05	CHIP R 0 OHM J 1/16W	
S6		*	S79-0853-05	DIP SWITCHES	
S7			S68-0806-05	PUSH SWITCH	
D1,2			RM4ZLF-J1NF	DIODE	
D4			UDZS16B	ZENER DIODE	
D8			RD15JS-AZ(B)	ZENER DIODE	
D9			UDZS6.8B	ZENER DIODE	
D11			UDZS5.1B	ZENER DIODE	
D12			UDZS4.7B	ZENER DIODE	
D13			S5566B-Q	DIODE	
D17			RD16JS-AZ(B)	ZENER DIODE	
D25			FCH20A20	DIODE	
D26			FRH20A20	DIODE	
D29,30			LM1MA142WA-G	DIODE	
D38			UDZS5.1B	ZENER DIODE	
D39			1SS355	DIODE	
D41			1SS355	DIODE	
D62			LM1MA142WK-G	DIODE	
D63			1SS355	DIODE	
D66-70			1SS355	DIODE	

Ref. No.	A d d	N e w	Parts No.	Description	Desti- nation
D71			UDZS3.3B	ZENER DIODE	
D72			UDZS10B	ZENER DIODE	
D74,75			1SS355	DIODE	
D76			UMZ6.8N	ZENER DIODE	
D78,79			1SS355	DIODE	
D80-82			UMZ6.8N	ZENER DIODE	
D83-85			1SS355	DIODE	
D87,88			UMZ6.8N	ZENER DIODE	
D91			LM1MA142WA-G	DIODE	
D93			LM1MA142WK-G	DIODE	
D100			UMZ6.8N	ZENER DIODE	
D101			LM1MA142WK-G	DIODE	
D102			LM1MA142WA-G	DIODE	
D107			UMZ6.8N	ZENER DIODE	
D151,152			1SS355	DIODE	
D153			LM1MA142WK-G	DIODE	
D154			LM1MA142WA-G	DIODE	
D155			LM1MA142WK-G	DIODE	
D157,158			1SS355	DIODE	
D159			LM1MA142WK-G	DIODE	
D160			LM1MA142WA-G	DIODE	
D161			LM1MA142WK-G	DIODE	
D200			UMZ6.8N	ZENER DIODE	
D201			LM1MA142WK-G	DIODE	
D202,203			LM1MA142WA-G	DIODE	
D301,302			LM1MA142WK-G	DIODE	
D304			LM1MA142WA-G	DIODE	
D305,306			LM1MA142WK-G	DIODE	
D308			LM1MA142WK-G	DIODE	
D401,402			LM1MA142WK-G	DIODE	
D403,404			LM1MA142WA-G	DIODE	
D405			LM1MA142WK-G	DIODE	
D406			UDZS5.1B	ZENER DIODE	
D915			LM1MA142WA-G	DIODE	
D955			LM1MA142WA-G	DIODE	
D958			1SS355	DIODE	
IC1,2			BA14741F	ANALOGUE IC	
IC3		*	784224YGC117A	MICROCONTROLLER IC	
IC4			PST3436UL-E	MOS-IC	
IC6			BA4560F	ANALOGUE IC	
IC8			BA10393F	ANALOGUE IC	
IC9			P82B96PN	ANALOGUE IC	
IC10		*	UPC494GS-A	ANALOGUE IC	
Q1,2			2SC4081	TRANSISTOR	
Q7,8			2SC4097	TRANSISTOR	
Q9,10			2SA1577	TRANSISTOR	
Q11-16			2SK3662-F	FET	
Q17			2SD2012-F	TRANSISTOR	
Q18			2SB1375-F	TRANSISTOR	
Q20			2SB1241	TRANSISTOR	
Q21			DTC114EUA	DIGITAL TRANSISTOR	
Q22			2SB1238	TRANSISTOR	
Q24			2SC4081	TRANSISTOR	
Q25			2SA1576A	TRANSISTOR	
Q26			2SK246(BL)-F	FET	

E : Europe K : North America M : Other Areas E : Without Europe

△ Indicates safety critical components.

PARTS LIST

AUDIO UNIT (X09-5780-11)

Ref. No.	Add	New	Parts No.	Description	Destination	Ref. No.	Add	New	Parts No.	Description	Destination
Q27			2SA992-A(F,E)	TRANSISTOR		Q421,422			2SA965-F	TRANSISTOR	
Q30,31			2SC4081	TRANSISTOR		Q423,424			2SC3856NF	TRANSISTOR	
Q41-44			2SC4081	TRANSISTOR		Q425,426			2SA1492NF	TRANSISTOR	
Q50			2SC4081	TRANSISTOR		Q901,902			2SK3662-F	FET	
Q51			2SA1576A	TRANSISTOR		Q905,906			2SC4081	TRANSISTOR	
Q52			2SC4081	TRANSISTOR		Q945,946			2SC4081	TRANSISTOR	
Q53			2SA1576A	TRANSISTOR		Q967			DTA114EUA	DIGITAL TRANSISTOR	
Q54			DTA114EUA	DIGITAL TRANSISTOR		TH1-5			NT732ATTD103J	THERMISTOR	
Q56,57			2SC4081	TRANSISTOR							
Q58,59			2SC945AA(Q,P)	TRANSISTOR							
Q60			2SA1576A	TRANSISTOR							
Q61			2SC4081	TRANSISTOR							
Q62			DTC114EUA	DIGITAL TRANSISTOR							
Q63			DTA114EUA	DIGITAL TRANSISTOR							
Q64			DTC114EUA	DIGITAL TRANSISTOR							
Q65			2SC4081	TRANSISTOR							
Q66,67			2SD1863	TRANSISTOR							
Q73-75			DTA114EUA	DIGITAL TRANSISTOR							
Q77			DTC114EUA	DIGITAL TRANSISTOR							
Q80-83			2SC4081	TRANSISTOR							
Q84			DTC114EUA	DIGITAL TRANSISTOR							
Q85			2SC4081	TRANSISTOR							
Q86			DTC114EUA	DIGITAL TRANSISTOR							
Q90			DTC114EUA	DIGITAL TRANSISTOR							
Q91			DTA114EUA	DIGITAL TRANSISTOR							
Q92			DTC114EUA	DIGITAL TRANSISTOR							
Q93,94			2SA1576A	TRANSISTOR							
Q95			2SC4081	TRANSISTOR							
Q96			2SA1576A	TRANSISTOR							
Q97			DTA114EUA	DIGITAL TRANSISTOR							
Q98			2SA1576A	TRANSISTOR							
Q99			DTA114EUA	DIGITAL TRANSISTOR							
Q210			2SA1376AA(L,K)	TRANSISTOR							
Q212			2SC3419(Y)-F	TRANSISTOR							
Q301-304			2SA992-A(F,E)	TRANSISTOR							
Q305-308			2SC3478AA(L,K)	TRANSISTOR							
Q309			2SA1376AA(L,K)	TRANSISTOR							
Q311			2SC3419(Y)-F	TRANSISTOR							
Q312			2SC2235-F	TRANSISTOR							
Q314			2SA965-F	TRANSISTOR							
Q315,316			2SC1845-A(F,E)	TRANSISTOR							
Q317,318			2SA992-A(F,E)	TRANSISTOR							
Q319			2SC2235-F	TRANSISTOR							
Q320			2SC3856NF	TRANSISTOR							
Q321			2SA965-F	TRANSISTOR							
Q322			2SA1492NF	TRANSISTOR							
Q323			2SC3856NF	TRANSISTOR							
Q325			2SA1492NF	TRANSISTOR							
Q401-404			2SA992-A(F,E)	TRANSISTOR							
Q405-408			2SC3478AA(L,K)	TRANSISTOR							
Q409,410			2SA1376AA(L,K)	TRANSISTOR							
Q411,412			2SC3419(Y)-F	TRANSISTOR							
Q415,416			2SC1845-A(F,E)	TRANSISTOR							
Q417,418			2SA992-A(F,E)	TRANSISTOR							
Q419,420			2SC2235-F	TRANSISTOR							

E : Europe K : North America M : Other Areas E : Without Europe

△ Indicates safety critical components.

SPECIFICATIONS

Audio Section

Max Power Output	960W
Rated Power Output (+B=12.0V)	
Normal (4Ω) (20Hz~20kHz, 0.05% THD)	45W x 4
(2Ω) (1kHz, 0.5% THD)	90W x 4
Bridged (4Ω) (1kHz, 0.5% THD)	180W x 2
Rated Power Output (+B=14.4V)	
Normal (4Ω) (20Hz~20kHz, 0.05% THD)	60W x 4
(2Ω) (1kHz, 0.5% THD)	120W x 4
Bridged (4Ω) (1kHz, 0.5% THD)	240W x 2
Low Pass Filter Frequency (24dB/oct.) (B channel)	
.....	50~200Hz (variable)
High Pass Filter Frequency (12dB/oct.)	
.....	50~200Hz (variable)
Infrasonic Filter Frequency (24dB/oct.) (B channel) ...	15Hz
Frequency Response (+0, -3dB)	5Hz~70kHz
Signal to Noise Ratio	105dB
Sensitivity (rated output)	
MAX.	0.2V
MIN.	5.0V
Input Impedance	10kΩ

Amplifier Control Section (EQ) (B channel)

Bass Frequency	60/80/100/200Hz
Bass Level	-15dB~+15dB
Bass Q Factor	1.00/1.25/1.50/2.00
Treble Frequency	10/12/15/17kHz
Treble Level	-15dB~+15dB

General

Operating Voltage	14.4V (11~16V allowable)
Current Consumption (+B=12.0V, 1kHz, 10% THD, 4Ω)	
.....	42A
Dimensions (W x H x D)	
.....	446 x 61 x 259.5 (mm), 17-5/8 x 2-3/8 x 10-3/16 (inch)
Installation Size (W x H x D)	
.....	446 x 61 x 265 (mm), 17-5/8 x 2-3/8 x 10-3/8 (inch)
Weight	4.47kg (9.85 lbs)

CEA-2006

RMS Power Output (+B=14.4V)	
Normal (4Ω/4ch) (1.0% THD+N)	88W
(2Ω/4ch) (1.0% THD+N)	124W
Bridged (4Ω/2ch) (1.0% THD+N)	270W x 2
Dynamic Power (+B=14.4V)	100W
Output Regulation (+B=14.4V)	Under 0.3dB (4Ω)
Signal to Noise Ratio	76dBA (W/4Ω)
Bypass	76dBA (W/4Ω)

KENWOOD follows a policy of continuous advancements in development.

For this reason specifications may be changed without notice.

Installation

